

# Montpellier

THE PERFECT BALANCE OF FUNCTION AND STYLE

LAUNDRY - DISHWASHING - COOKING - COOLING

## Installation and Operating Instructions



### **Solid Plate Hob - 30cm & 60cm**

SP600W/X - 60cm White or Stainless Steel

SP300X - 30cm Stainless Steel

Please read these instructions carefully before attempting to install or use this appliance.  
We recommend that you keep these instructions in a safe place for future reference.

# Welcome

---

Thank you for choosing this Montpellier Solid Plate Hob.

Our Hobs has been designed to provide you with the best combination of style, reliability and performance to give you years of trouble-free use.

You may be familiar with a similar product, but please take time to read these instructions carefully before installing or using your Solid Plate Hob to ensure you get the most from your purchase.

We recommend that you keep this manual in a safe place for future reference.



**2**  
**YEAR**  
**GUARANTEE**  
— PARTS & LABOUR —  
ACROSS ALL OUR MODELS  
**Montpellier**  
www.montpellier-appliances.com

Your Solid Plate Hob is covered by a comprehensive two year Parts & Labour Guarantee. In the unlikely event that you experience a problem with your Hob, you can rest assured that you are fully protected against the cost of repairs for the first 24 months . Please note that any claim must be accompanied by the model reference number, serial number and proof of purchase.

To activate your guarantee, you will need your product serial number. This can be found on the rear of the machine.

There are two ways to register your Guarantee:

- **Online:** Visit the Support page on our website and complete the online Product Registration form. [www.montpellier-appliances.com](http://www.montpellier-appliances.com)
- **By Post:** Simply detach and fill in the form provided, attach a stamp and send it in the post. Don't forget to include your e-mail address so that we can send confirmation through to you.

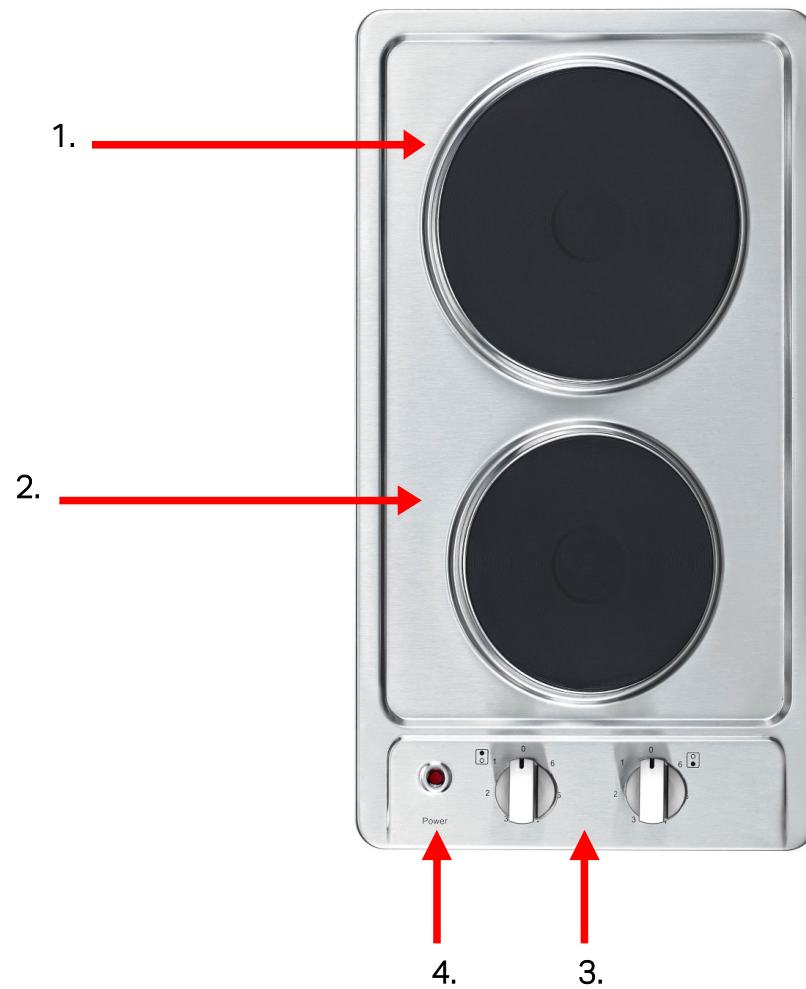


**Note:** We are unable to take registrations over the phone.

---

# Description Of The Appliance

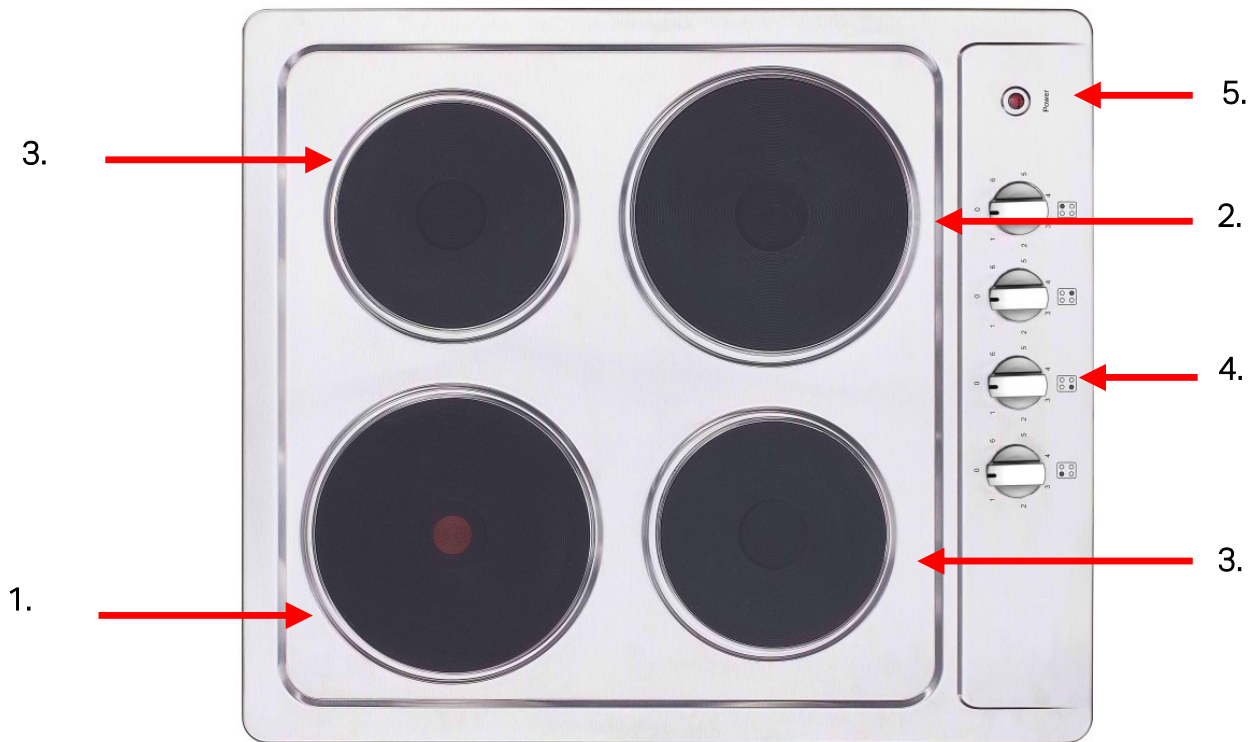
## a) MON-SP300X



1. 1.5 KW Solid Plate
2. 1.0 KW Solid Plate
3. Control Knobs
4. Neon Power Indicator

## b) MON-SP600X & MON-SP600W

(N.B. SP-600X shown for indicative purposes)



1. 1.5 KW Solid Plate
2. 1.2 KW Solid Plate
3. 1.0 KW Solid Plates
4. Control Knobs
5. Neon Power Indicator

## CONTENTS:

Section 1. Installation

Section 2. Safety Advice

Section 3. Operating the Appliance

Section 4. Maintenance

## Section 1. Installation

- Remove all packaging, protective film and securing tape from the appliance.
- Position the appliance in a dry atmosphere.
- The following dimensions are provided as a guide for installation – your installer will carry out the installation in accordance with the current regulations.
- Your installer will connect the power cable in accordance with the current regulations.

To install this appliance, please proceed as follows:

### 1.1. Work-Surface Cut-Out

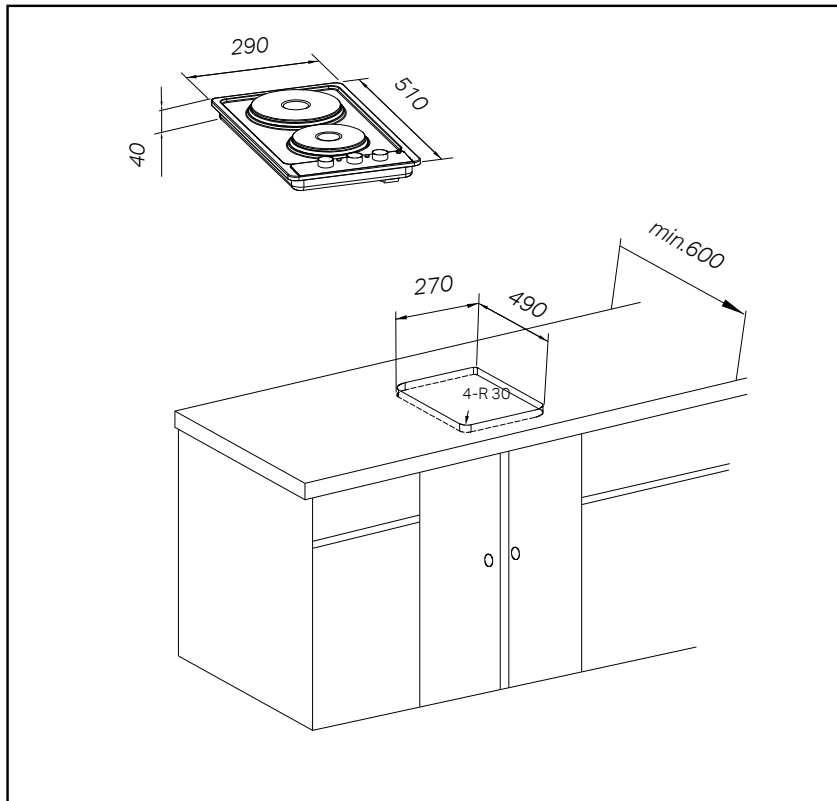
- Cut out the work-top as shown in the drawing below, ensuring that the actual sizes used are as per the chart below.
- For installation and use, a minimum of 5cm must be maintained around the cut-out.
- The work surface must have a thickness of at least 30mm.
- The work surface must be heat resistant. **SP300X**

A cut out of 270mm x 490mm is required (See diagram on Page 7 below).

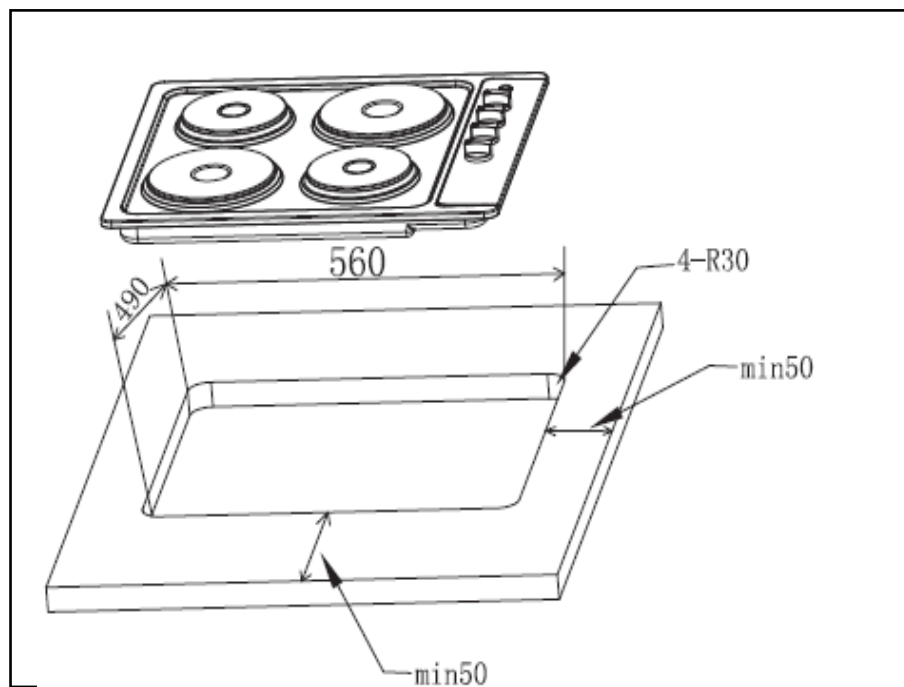
### **SP600X & SP600W**

A cut out of 560mm x 490mm is required  
*(See diagram on Page 7 below).*

# SP300X



# SP600X & SP600W



Cut out the opening in the work top for the hob (see diagrams/sizes above).

Fit the seal and make sure it is a perfect fit. Lower the hob into place and align correctly.

Using a standard screwdriver, tighten the tension clamps evenly starting at the centre and moving diagonal, until the built-in rim is tight on the worktop.

## 1.2. Electrical Connection

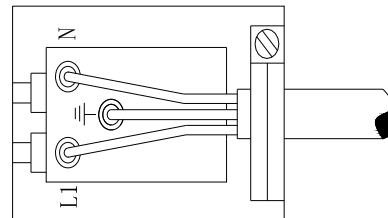
These appliances have a total Power Rating of 2500W (MON-SP300X) and 5500W (MON-SP600X & MON-SP600W).

**The product must be installed by a Qualified Electrician.**

These appliances are not supplied with a factory fitted power cord – your qualified installer will supply and fit a suitable cord.

The mains supply cable should be fixed in accordance with the following instructions:

- ✧ Switch the appliance off at the control switch.
- ✧ Open the terminal block on the underside of the hob.
- ✧ Unscrew the terminal screws fixing the cable.
- ✧ The “green-yellow” earth wire must be connected to the terminal marked  $\perp$ . It must be about 10 mm longer than the live and neutral wires.
- ✧ The “blue” neutral wire must be connected to the terminal marked with letter (N) - the live wire must be connected to the terminal marked with letter (L).



Please note that a switchable spur should be accessible above the work surface in order that the power can be turned off.



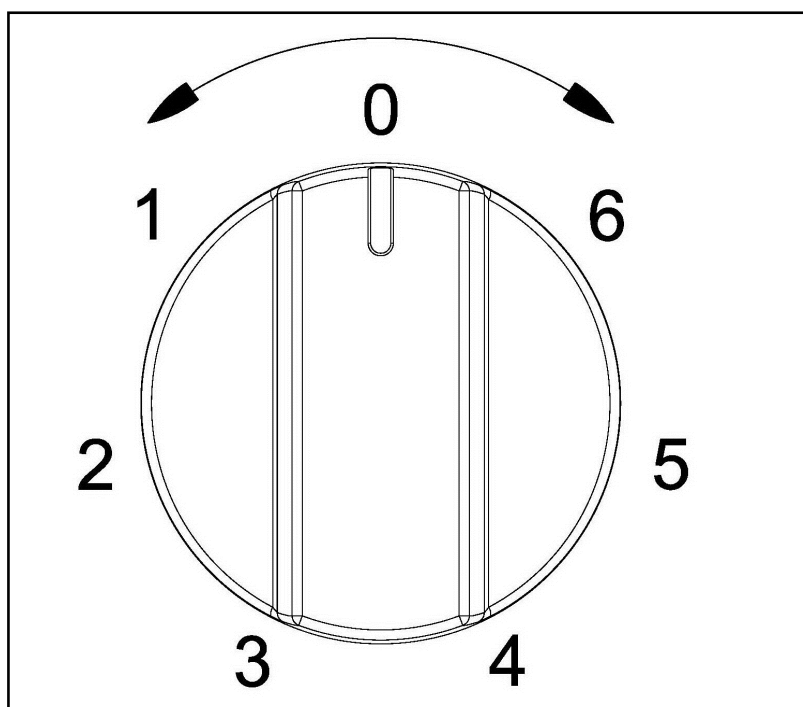
## Section 2. Safety Advice

- Please read this booklet thoroughly before installing and switching on the appliance. The manufacturer accepts no responsibility for incorrect installation and usage.
- This appliance is guaranteed for Domestic Use Only. This appliance shall not be used by children aged from 8 years and above and persons with reduced physical, sensory or mental capabilities, or lack of experience and knowledge, unless they have been given supervision or instruction on how to use the appliance in a safe way and understand the hazards involved. Children shall not play with the appliance. Cleaning and user maintenance shall not be made by children without supervision.
- This appliance must only be used for cooking/heating foods and liquids. Do not use it for any other purpose.
- **It is important that you use only metal pans specifically designed and/or approved for use on Electric Hobs. Never allow melamine or plastic containers to come in contact with the heat zones.**
- If using an adaptor, this must be used in accordance with the manufacturers instructions and ensure that the electrical circuit is not overloaded as this could cause overheating.
- Do not twist or bend the cables, and keep them away from hot surfaces. Following installation make sure that the power cable is not trapped underneath the appliance.
- Keep the appliance surfaces clean. Failure to do this could lead to the appliance malfunctioning.
- The surface of this appliance will get extremely hot during use. The surface of this appliance will remain hot after it has been turned off. Do not touch or clean the heating zone until it has completely cooled down.
- If the power supply cord is damaged, it must be replaced by the manufacturer, it's service agent or similarly qualified persons in order to avoid a hazard.

## Section 3. Operating the Appliance

### 3.1. Operating the Hob

It is important that you use only metal pans specifically designed and/or approved for use on Electric Hobs. Never allow melamine or plastic containers to come in contact with the heat zones.



To operate the required solid plate heat zone, simply turn the relevant control knob to the required heat setting, i.e. 1 is low and 6 is high.

Always make sure that the control knob is turned back to zero when you have finished using the hob.

The pan you use should have a thick flat base with a diameter equal to the solid plate diameter that you are using.

N.B. The red neon indicator will light up when there is power to the hob.

## Section 4. Maintenance

Before any maintenance or cleaning work is carried out, **DISCONNECT** the appliance from the **ELECTRICITY** supply and ensure that the appliance is completely cool.

### 4.1. Cleaning the Hob Surface

Clean spillages from the hob surface as soon as possible after use. Always ensure that the surface has cooled down before cleaning.

Use a soft cloth or kitchen paper to clean the surface. If the spillage has dried on the surface you may need to use a specialist cleaner, available from all good supermarkets.

Do not use other abrasive cleaners and/or wire wool etc as this may scratch the surface of the hob.

### 4.2. What to do if something goes wrong

There is no power to the appliance:

- Check there is not a power cut
- Check there is power to the electric socket/appliance

After switching on or off, the appliance makes a noise:

- This is the appliance heating up and cooling down – it is quite normal.

# Here For You

---

## After-sales assistance

If you continue to experience problems with your Solid Plate Hob, please call the Montpellier customer service helpline on: **01759 487839**.

Please have all your product details available, including the model number, serial number, date of purchase, and your retailer's details before registering a fault.

The service call cannot progress without this information.

## Your 2 year Manufacturer's guarantee

THIS DOES NOT AFFECT YOUR STATUTORY RIGHTS.

Your new Montpellier appliance carries a free guarantee which protects you against the cost of repairs during the first 24 months from date of purchase provided that:

Any claim is accompanied by evidence of the model reference, model serial number and proof of purchase, such as a Sales Receipt, showing that the appliance was purchased within the 24 months prior to the date of claim.

## What is not covered under the Guarantee

- Any appliance not correctly installed and operated in accordance with the manufacturer's instructions.
- Any appliance that is used for anything other than domestic purposes.
- Any defect caused by accident, misuse, unauthorised modification or inexpert repair.
- Cost of Call-out where a fault cannot be found with the appliance.
- Cost of Call-out for work covering routine maintenance, such as, but not exclusively, cleaning of filters or defrosting.
- Cost of Call-out for work required to correct the alignment of doors following door reversal procedures carried out by you.
- Use of the appliance by anyone other than the Householder.
- Use in any commercial environment.
- Consumable items, such as, but not exclusively, fuses in plugs, bulbs and breakable items which require routine replacement.
- Repair costs incurred that have not been authorised by Montpellier and/or carried out by a non-approved Montpellier engineer.

## YOUR GUARANTEE IS VALID ONLY IN THE UK & ROI.

To register your appliance simply complete the card in your appliance pack and return it with a stamp affixed or alternatively you can register online at **[www.montpellier-appliances.com/support](http://www.montpellier-appliances.com/support)**

## SERVICE HELP-LINE

Should your appliance develop a fault, please call the Montpellier customer service helpline on: **01759 487839**.

Please remember to have all your product details available, including the model number, serial number, date of purchase and your retailer's details before registering a fault.

Your service call cannot progress without this information.

**Montpellier Domestic Appliances Ltd.**

Unit 1, Tewkesbury Retail Park, Northway Lane,  
Tewkesbury, Gloucestershire GL20 8JU

**[www.montpellier-appliances.com](http://www.montpellier-appliances.com)**



The symbol on the product or on its packaging indicates that this product may not be treated as household waste. Instead it shall be handed over to the applicable collection point for the recycling of electrical and electronic equipment. By ensuring this product is disposed of correctly, you will help prevent potential negative consequences for the environment and human health, which could otherwise be caused by inappropriate waste handling of this product. For more detailed information about recycling of this product, please contact your local city office, your household waste disposal service or the shop where you purchased the product.