

Montpellier

THE PERFECT BALANCE OF FUNCTION AND STYLE

LAUNDRY - DISHWASHING - COOKING - COOLING

Installation and Operating Instructions



60cm Visor Cooker Hood

MCV60X - Stainless Steel

MCV60W - White

MCV60BK - Black

Please read these instructions carefully before attempting to install or use this appliance.
We recommend that you keep these instructions in a safe place for future reference.

Welcome

Thank you for choosing this Montpellier Visor Cooker Hood.

Our Hoods have been designed to provide you with the best combination of style, reliability and performance to give you years of trouble-free use.

You may be familiar with a similar product, but please take time to read these instructions carefully before installing or using your Cooker Hood to ensure you get the most from your purchase.

We recommend that you keep this manual in a safe place for future reference.

Your Cooker Hood is covered by a comprehensive two year Parts & Labour Guarantee. In the unlikely event that you experience a problem with your Hood, you can rest assured that you are fully protected against the cost of repairs for the first 24 months. Please note that any claim must be accompanied by the model reference number, serial number and proof of purchase.

To activate your guarantee, you will need your product serial number. This can be found on the rear of the machine.

There are two ways to register your Guarantee:

- **Online:** Visit the Support page on our website and complete the online Product Registration form. www.montpellier-appliances.com
- **By Post:** Simply detach and fill in the form provided, attach a stamp and send it in the post. Don't forget to include your e-mail address so that we can send confirmation through to you.



Note: We are unable to take registrations over the phone.

2
YEAR
GUARANTEE
— PARTS & LABOUR —
ACROSS ALL OUR MODELS
Montpellier
www.montpellier-appliances.com

Important

The manufacturer cannot be held responsible for injuries or losses caused by incorrect use or installation of this product. Please note that the manufacturer reserves the right to invalidate the guarantee supplied with this product following incorrect installation or misuse of the appliance or use in a commercial environment.

This appliance is not designed to be used by people (including children) with reduced physical, sensorial or mental capacity, or who lack experience or knowledge about it, unless they have had supervision or instructions on how to use the appliance by someone who is responsible for their safety.

Under no circumstances should any external covers be removed for servicing or maintenance except by suitably qualified personnel.

Appliance information:

Please enter the details on the appliance rating plate below for reference, to assist Customer Care in the event of a fault with your appliance and to register your appliance for guarantee purposes.

Appliance Model _____


Serial Number _____

CE Declarations of Conformity:

This appliance has been manufactured to the strictest standards and complies with all applicable legislation, including Gas safety, Electrical safety (LVD) and Electromagnetic interference compatibility (EMC).

IMPORTANT INFORMATION FOR CORRECT DISPOSAL OF THE PRODUCT IN ACCORDANCE WITH EC DIRECTIVE 2002/96/EC.

At the end of its working life, the product must be taken to a special local authority waste collection centre or to a dealer providing appliance recycling services. Disposing of a household appliance separately avoids possible negative consequences for the environment and health. It also enables the constituent materials to be recovered, saving both energy and resources.

As a reminder of the need to dispose of household appliances separately, the product is marked with a crossed-out wheeled dustbin. 

Please note:

Under no circumstances should the extractor be connected to any gas ventilation system, flue system or hot air ducting system.

Do not vent the extractor into an attic or loft space.

Only house the extractor in rooms with adequate ventilation. Remember that the extractor is powerful and whatever air is extracted needs to be replaced.

Do not tile the extractor in. It should be removable for service or maintenance.

Do not use silicone sealant to secure the hood to the wall.

You must be able to isolate the extractor from the mains electrical supply after installation.

Steam cleaners must not be used when cleaning this appliance.

The performance of your extractor will vary depending on a number of factors. These include: type of extraction, length of ducting, room volume, ventilation available and cleanliness of the filters

Using your Extractor

For best performance, you should switch on the extractor 15 minutes before starting to cook and leave it to run for approximately 15 minutes after the end of cooking.

Control Panel

- A – Light button
- B – Power off button
- C – Speed level buttons

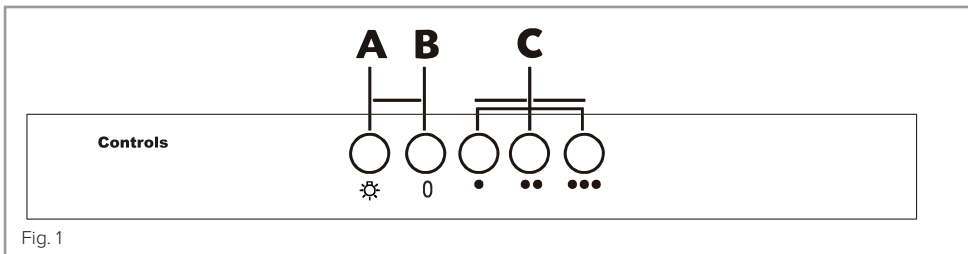


Fig. 1

To switch the extractor light on or off

Press button A.

To switch on the extractor or to change the speed at any time when the extractor is running

- Press button C for the first, second or third speed level as required.

To switch the extractor off

Press button B.

Care and Maintenance

IMPORTANT: DO NOT PERFORM MAINTENANCE OR CLEANING OF THE EXTRACTOR WITHOUT FIRST SWITCHING OFF THE ELECTRICITY SUPPLY.

Cleaning

You should use a non-abrasive cleaner. Any abrasive cleaner (including Cif) will scratch the surface and could erase the control panel markings.

You can clean your extractor effectively by simply using a dilute solution of water and mild detergent and drying to a shine with a clean cloth.

Cleaning the grease filter

The grease filter should be kept clean to minimise the risk of fire.

At least once a month, you should remove and clean the grease filter with hot soapy water.

To remove the grease filter, follow the steps below:

1. Remove the cover panel by pushing the fixing clips up and then lifting the panel forwards.
2. Remove the filter retaining wires from the cover panel.
3. Remove the grease filter and wash by hand in a lukewarm solution of water and mild detergent. Once clean, squeeze the grease filter but DO NOT wring it out. Clean the filter holder using a dilute solution of water and mild detergent or with a damp cloth. Allow the grease filter to dry completely before reassembling the extractor.
4. Replace the grease filter in the cover panel and reattach the filter retaining wires.
5. Replace the cover panel by inserting the lugs on the upper side in the extractor and then refasten the fixing clips on the lower side.

Please note:

The extractor must not be used without the grease filter in place.

Changing the charcoal filter

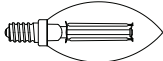
To ensure best performance of your extractor, you should replace the charcoal filters every four to six months, depending on use. Please note the charcoal filter cannot be washed. To attach a new charcoal filter, follow the steps below.

1. Remove the cover panel as described above.
2. Place the charcoal filter on the centre of the motor support, once firmly located turn the charcoal filter clockwise 90° until the charcoal filter locks into position.
3. Replace the cover panel.

Changing the Light

DO NOT CHANGE THE LIGHT BULB IMMEDIATELY AFTER USE AS THE BULB WILL BE HOT. ALLOW IT TO COOL BEFORE REMOVING IT.

Remove the cover panel as described above, unscrew the light bulb and replace it with the required bulb, as shown in the table below. Finally, replace the cover panel.

MCV60X MCV60W MCV60BK	E14 LED 4Wx1 DR-4-H-E14-37 
-----------------------------	---

Do not touch bulbs or adjacent areas during or straight after prolonged use of the lights.

The light is designed for use during cooking and not for general room illumination. Extended use of the light can reduce the life span of the bulb.

Bulb replacement is not covered by the guarantee.

Only use bulbs recommended for your extractor. Do not fit bulbs of a higher power rating. Bulbs of a lower power rating may be adequate for use, generally last longer and use less energy.

Spare bulbs are available from Montpellier Customer Services or from your local DIY shop.

PROTECTION LINE

5A Fuse is installed inside the plug to protection line.

Electrical Information

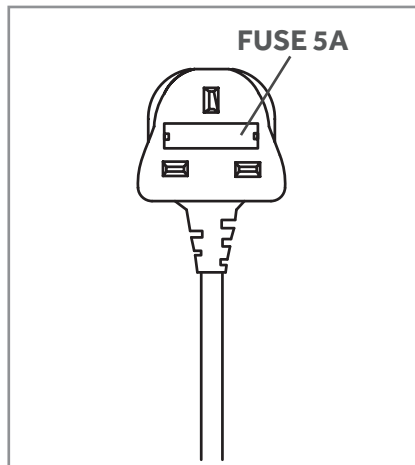
Mains electrical voltage: 230 – 240Vac.

Total rated power consumption: 44W.

Troubleshooting

If your extractor is not working:

1. Check that the mains supply has not been switched off.
2. Check that the fuse in the spur has not blown.



Installation

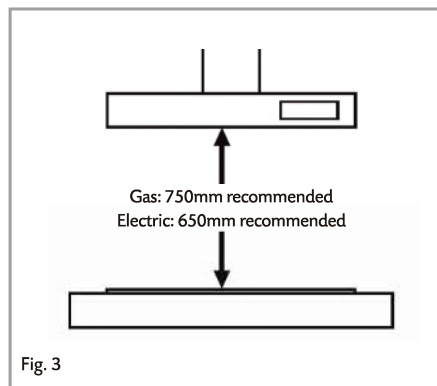
When the extractor is to be installed above an electric hob, the minimum distance between the hob and extractor must exceed 600mm (650mm is recommended).

When the extractor is to be installed above a gas hob, the minimum distance between the hob and extractor must exceed 700mm (750mm is recommended).

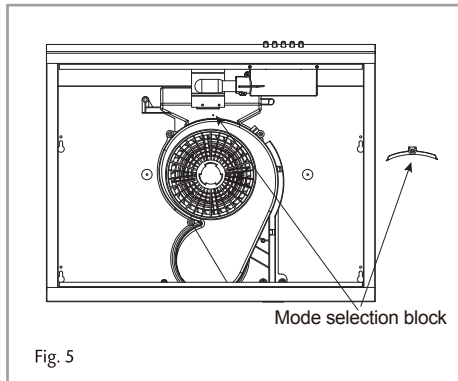
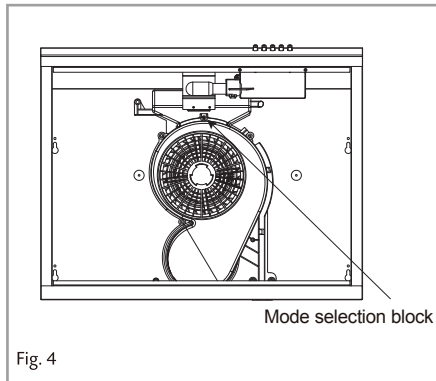
If the instructions provided with your gas hob state that the required distance between the hob and extractor must be greater than 700mm, then that is the distance which should be observed. This is a legal requirement and may lead to your hob being disconnected from the gas supply and the installation being reported to RIDDOR (the height should be measured from the top of the burners).

IN THE ABSENCE OF ANY INSTRUCTIONS SUPPLIED WITH THE GAS HOB, THE MINIMUM DISTANCE BETWEEN THE HOB AND EXTRACTOR MUST BE AT LEAST 760mm.

The width of any hob must not be greater than the width of the extractor installed above it.



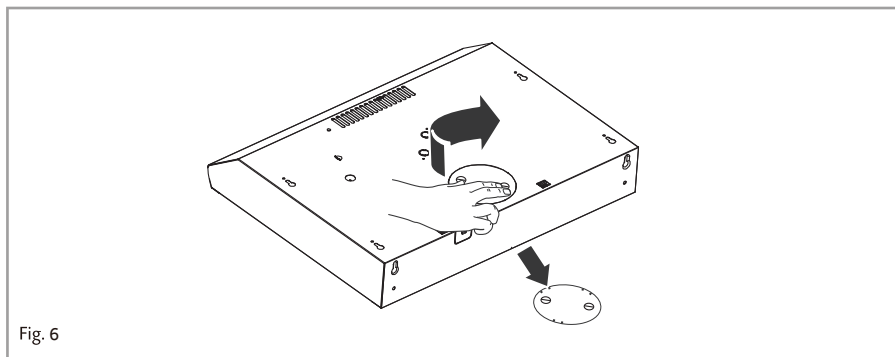
Setting The Extraction Mode



To select recirculation mode, remove the mode block at the position indicated in fig 5 , and to select ducted operation, insert mode block into the position indicated in fig 4.

NOTE:

Take care with the knock-out plates and the holes remaining, as there may be sharp edges.



Installation

We recommend that at least two people install this product to assist when mounting extractor.

The extractor can be mounted in one of two ways:

To mount the extractor directly to the underside of a bridging unit:

Note:

Ensure that the height of the bridging cabinet is at least 140mm more than the minimum height you require above the hob (For example, with Montpellier hobs, the recommended height of the bridging unit should be 790mm for an electric hob and 890mm for a gas hob)

1. Remove the cover panel.
2. Mark the positions of the fixing holes on the underside of the cabinet, in the position shown in Fig.7.
3. Screw 4 screws partially into the underside of the bridging unit, leaving about 5mm proud, to allow the hood to be mounted. Note that the screws are not supplied and should be chosen carefully to ensure that they will not pierce through to the interior of the bridging cabinet.

For 15mm cabinets, use 13mm screws

For 18mm cabinets, use 15mm screws

4. Carefully locate the extractor on the 4 screws and push it towards the wall.
5. Tighten each of the screws to fix the hood in place.
6. Fit at least two additional screws in the safety holes to prevent accidental contact pulling the extractor from its position.

To mount the extractor to the rear wall:

Note:

To ensure that the extractor is at the correct height after installation, ensure that the fixing holes are positioned at least 125 mm higher than the minimum height specified for hob clearance (for example, with Montpellier hobs, the recommended height of the fixing holes should be 770mm for an electric hob and 870mm for a gas hob).

1. Mark two points on the wall 545mm apart and positioned so that the extractor will be central in relation to the hob below.
2. Drill holes of suitable size for the wall fixings you have chosen. Montpellier takes no responsibility if incorrect wall fixings are used. If in doubt, consult a builder or other qualified person for advice.
3. Insert the wall plugs and partially screw in the suitable screws, leaving approx. 5mm proud.
4. Hang the hood on to the screws and tighten to secure the hood in place.
5. Fit 2 extra screws in the holes below the key slots to prevent accidental contact detaching the extractor from the wall.

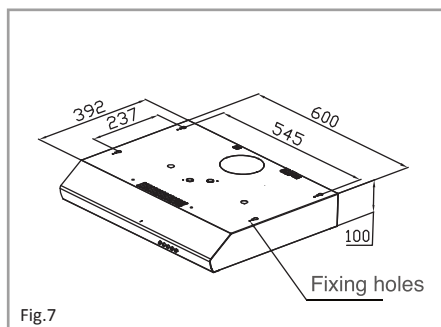


Fig.7

The diagram below shows the underside of the bridging unit with the front at the top

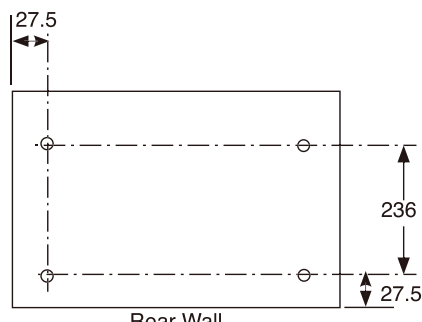


Fig.8

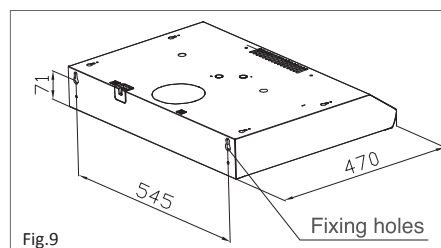


Fig.9

GUARANTEE

Your new product is guaranteed against defects in materials and/or workmanship. Any parts found to be defective will be repaired or replaced at our discretion. All repairs must be carried out by an authorised Service Agent.

THIS GUARANTEE IS VALID PROVIDING THAT :

- The appliance has been installed by a suitably qualified person
- Installation has been carried out in accordance with instructions and current legislation
- Proof of purchase can be produced
- The appliance has been used for domestic purposes only
- The appliance has not been tampered with, attempted to be repaired or modified by any unauthorised person.

THIS GUARANTEE DOES NOT COVER :

- Damage by misuse, neglect or transit
- Use of parts that have not been recommended
- Routine maintenance, general wear & tear and installation faults
- Rubber seals, removable glass and/or plastic parts, fuses or light bulbs which all need replacing periodically
- Second-hand or reconditioned appliances
- Appliances used for commercial or professional purposes

This guarantee does not in any way affect your statutory legal rights

Energy Efficiency Information

Attribute	Symbol	Value	Units
Model Identification		MCV60X / MCV60W / MCV60BK	
Annual Energy Consumption	AEC_{Hood}	26.3	kWh
Time Increase factor	f	1.7	
Fluid Dynamic Efficiency	FDE_{Hood}	8.5	
Energy Efficiency Index	EEl_{Hood}	68.8	
Measured Airflow at Best Efficiency Point	Q_{BEP}	95.1	m ³ /h
Measured Pressure at Best Efficiency Point	P_{BEP}	121	Pa
Maximum Airflow	Q_{MAX}	186.1	m ³ /h
Measured Electric Power at Best Efficiency Point	W_{BEP}	37.7	W
Nominal Lighting Power	WL	4.0	W
Average Illumination of the lighting system on the cooking surface	E_{Middle}	108	Lux
Measured Power Consumption in standby	P_s	--	W
Measured Power Consumption off mode	P_o	0.0	W
Noise level	L_{WA}	65	dBA
Grease Filter Efficiency	GFE_{Hood}	67.1(D)	%
Lamp Efficiency	LE_{Hood}	27(B)	%

E & O E. All instructions, dimensions and illustrations are provided for guidance only. MONTPELLIER reserve the right to change specifications without prior notice.

Here For You

After-sales assistance

If you continue to experience problems with your Cooker Hood, please call the Montpellier customer service helpline on: **01759 487839**.

Please have all your product details available, including the model number, serial number, date of purchase, and your retailer's details before registering a fault.

The service call cannot progress without this information.

Your 2 year Manufacturer's guarantee

THIS DOES NOT AFFECT YOUR STATUTORY RIGHTS.

Your new Montpellier appliance carries a free guarantee which protects you against the cost of repairs during the first 24 months from date of purchase provided that:

Any claim is accompanied by evidence of the model reference, model serial number and proof of purchase, such as a Sales Receipt, showing that the appliance was purchased within the 24 months prior to the date of claim.

What is not covered under the Guarantee

- Any appliance not correctly installed and operated in accordance with the manufacturer's instructions.
- Any appliance that is used for anything other than domestic purposes.
- Any defect caused by accident, misuse, unauthorised modification or inexpert repair.
- Cost of Call-out where a fault cannot be found with the appliance.
- Cost of Call-out for work covering routine maintenance, such as, but not exclusively, cleaning of filters or defrosting.
- Cost of Call-out for work required to correct the alignment of doors following door reversal procedures carried out by you.
- Use of the appliance by anyone other than the Householder.
- Use in any commercial environment.
- Consumable items, such as, but not exclusively, fuses in plugs, bulbs and breakable items which require routine replacement.
- Repair costs incurred that have not been authorised by Montpellier and/or carried out by a non-approved Montpellier engineer.

YOUR GUARANTEE IS VALID ONLY IN THE UK & ROI.

To register your appliance simply complete the card in your appliance pack and return it with a stamp affixed or alternatively you can register online at www.montpellier-appliances.com/support

SERVICE HELP-LINE

Should your appliance develop a fault, please call the Montpellier customer service helpline on: **01759 487839**.

Please remember to have all your product details available, including the model number, serial number, date of purchase and your retailer's details before registering a fault.

Your service call cannot progress without this information.

Montpellier Domestic Appliances Ltd.

Unit 1, Tewkesbury Retail Park, Northway Lane,
Tewkesbury, Gloucestershire GL20 8JU

www.montpellier-appliances.com



The symbol on the product or on its packaging indicates that this product may not be treated as household waste. Instead it shall be handed over to the applicable collection point for the recycling of electrical and electronic equipment. By ensuring this product is disposed of correctly, you will help prevent potential negative consequences for the environment and human health, which could otherwise be caused by inappropriate waste handling of this product. For more detailed information about recycling of this product, please contact your local city office, your household waste disposal service or the shop where you purchased the product.