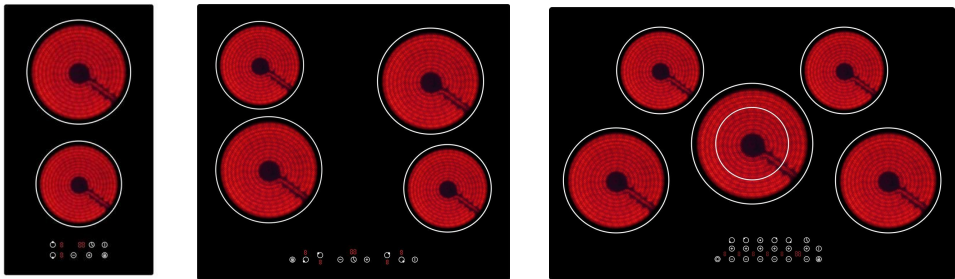


# Montpellier

## Installation and Operating Instructions

### Models: MON-CT251 MON-CT451 & MON-CT785

### 30cm, 60cm and 77cm Ceramic Hobs



(Pictures indicative of models supplied)

**Please read these instructions carefully before attempting to install or use this appliance.**

**It is advisable to keep these instructions in a safe place for future reference.**

**N.B. Should your appliance require attention, our service agents will not be able to book a service call without your unique serial number which can be found on the last page of this manual.**

---

# Introduction

Thank you for choosing this Montpellier branded appliance. It has been designed to give years of trouble-free use provided it is installed and maintained correctly.

Please read these instructions carefully before installing or using your appliance. It is advisable to keep your purchase and installation receipts with these instructions in a safe place for future reference. Included is some important safety information in addition to guidelines and recommendations that will enable you to take full advantage of all the functions available.

This quality appliance has been tested and certified to meet all applicable UK electrical and safety standards.

This appliance must be installed and connected in accordance with current regulations.

After unpacking the appliance ensure that there is no visible damage. If the appliance has been damaged during transit, do not use it, contact your retailer immediately.

# **Your 2 year Manufacturer's guarantee**

**THIS DOES NOT AFFECT YOUR STATUTORY RIGHTS.**

Your new Montpellier appliance carries a free guarantee which protects you against the cost of repairs during the first 24 months from date of purchase provided that:

Any claim is accompanied by evidence of the model reference, model serial number and proof of purchase, such as a Sales Receipt, showing that the appliance was purchased within the 24 months prior to the date of claim.

## **What is not covered under the Guarantee:**

- Any appliance not correctly installed and operated in accordance with the manufacturer's instructions.
- Any appliance that is used for anything other than domestic purposes.
- Any defect caused by accident, misuse, unauthorized modification or inexperienced repair.
- Cost of Call-out where a fault cannot be found with the appliance.
- Cost of Call-out for work covering routine maintenance, such as, but not exclusively, cleaning of filters or defrosting.
- Cost of Call-out for work required to correct the alignment of doors following door reversal procedures carried out by you.
- Use of the appliance by anyone other than the Householder.
- Use in any commercial environment.
- Consumable items, such as, but not exclusively, fuses in plugs, bulbs and breakable items which require routine replacement.
- Repair costs incurred that have not been authorised by Repairtech and/or carried out by a non-approved Repairtech engineer.

## **YOUR GUARANTEE IS VALID ONLY IN THE UK.**

To Register your Appliance simply complete the card in your appliance pack and return it with a stamp affixed or Alternatively you can Register online at [www.repairtechuk.com](http://www.repairtechuk.com)

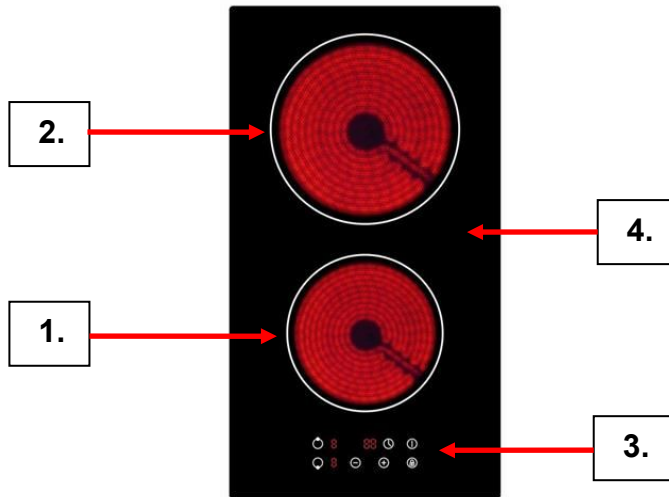
## **SERVICE HELP-LINE**

Should your appliance develop a fault, please call the Repairtech Service Helpline on:

**01527-888133**

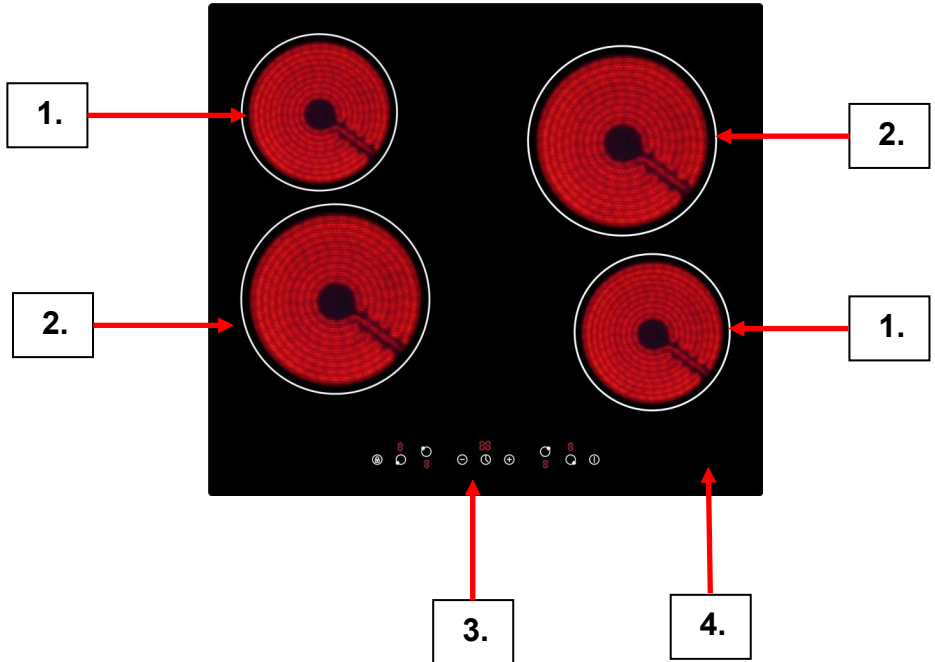
## Description Of The Appliance

a) MON-CT251



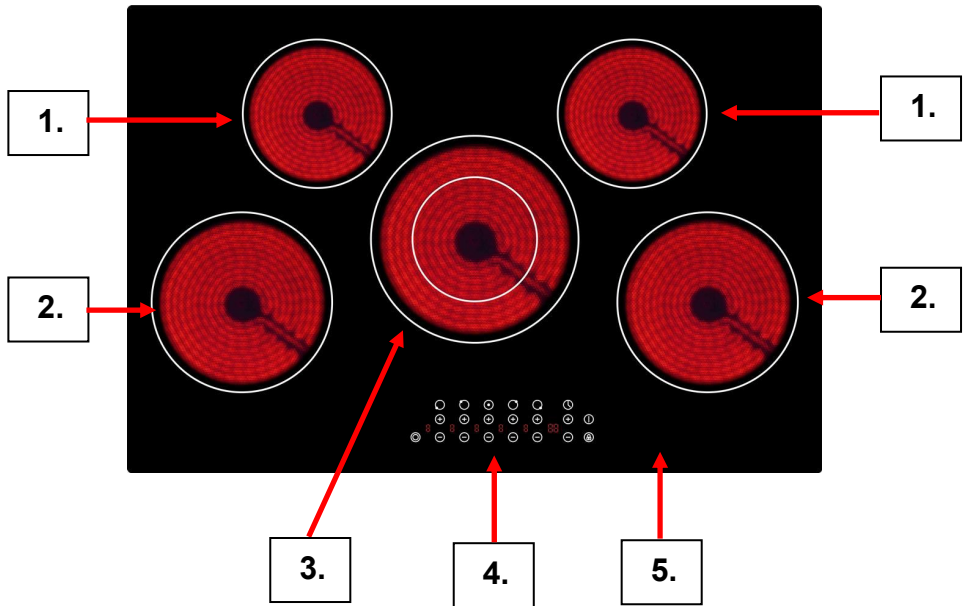
- 1. 1200W Cook Zone
- 2. 1800W Cook Zone
- 3. Function Controls
- 4. Ceramic Glass Plate

b) **MON-CT451**



- 1. 1200W Cook Zones**
- 2. 1800W Cook Zones**
- 3. Function Controls**
- 4. Ceramic Glass Plate**

c) **MON-CT785**



- 1. **1200W Cook Zones**
- 2. **1800W Cook Zones**
- 3. **2200/1000W Cook Zone**
- 4. **Function Controls**
- 5. **Ceramic Glass Plate**

## **CONTENTS:**

**Section 1. Installation**

**Section 2. Safety Advice**

**Section 3. Operating the Appliance**

**Section 4. Maintenance**

## **Section 1. Installation**

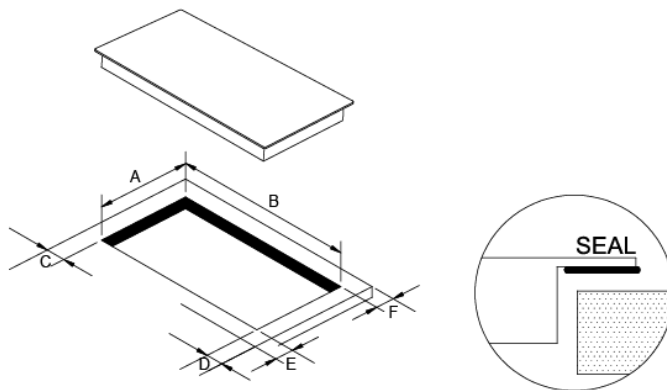
- Remove all packaging, protective film and securing tape from the appliance.
- Position the appliance in a dry atmosphere.
- The following dimensions are provided as a guide for installation – your installer will carry out the installation in accordance with the current regulations.
- Your installer will connect the power cable in accordance with the current regulations.

To install this appliance, please proceed as follows:

### **1.1. Work-Surface Cut-Out**

- Cut out the work-top as shown in the drawing below, ensuring that the actual sizes used are as per the chart below.
- For installation and use, a minimum of 5cm must be maintained around the cut-out.
- The work surface must have a thickness of at least 30mm.
- The work surface must be heat resistant.

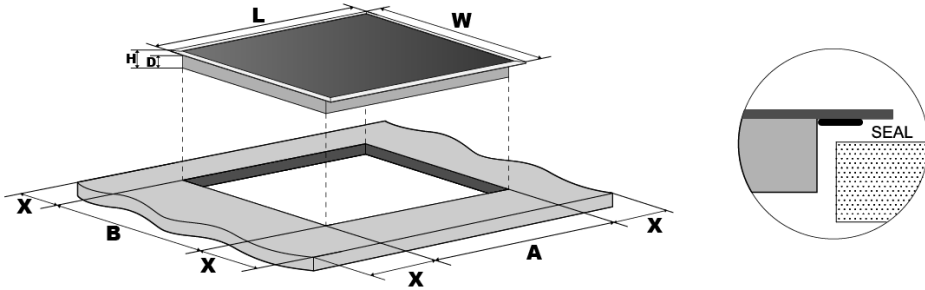
#### 1.1.1. MON-CT251





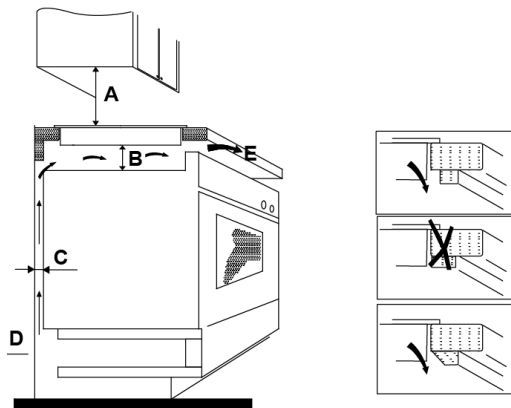
A	B	C	D	E	F
268 <sup>+4</sup> -0 mm	500 <sup>+4</sup> -0 mm	50mm mini	50mm mini	50mm mini	50mm mini

### 1.1.2. MON-CT451 & MON-CT785



Model	L(mm)	W(mm)	H(mm)	D(mm)	A(mm)	B(mm)	X(mm)
MON-CT451	590	520	52	48	560	490	50 mini
MON-CT785	770	520	52	48	740	490	50 mini

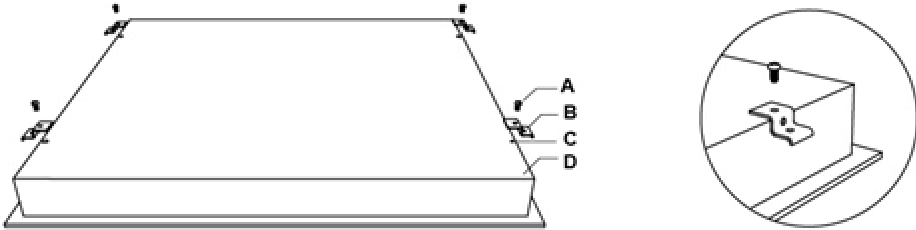
## 1.2. Space to Rear or Side Wall



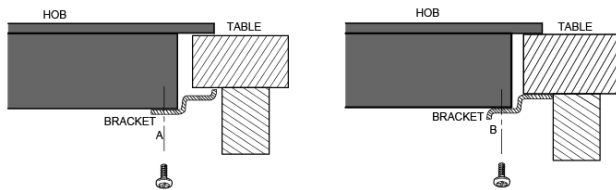
A = 760mm      B = 50mm (min)      C = 20mm (min)  
D = Air Gap/Intake      E = Air Exit (5mm)

### 1.3. Fixing Brackets

- Fix the brackets as shown below:



- a) Screw b) Bracket c) Screw Hole d) Base of hotplate

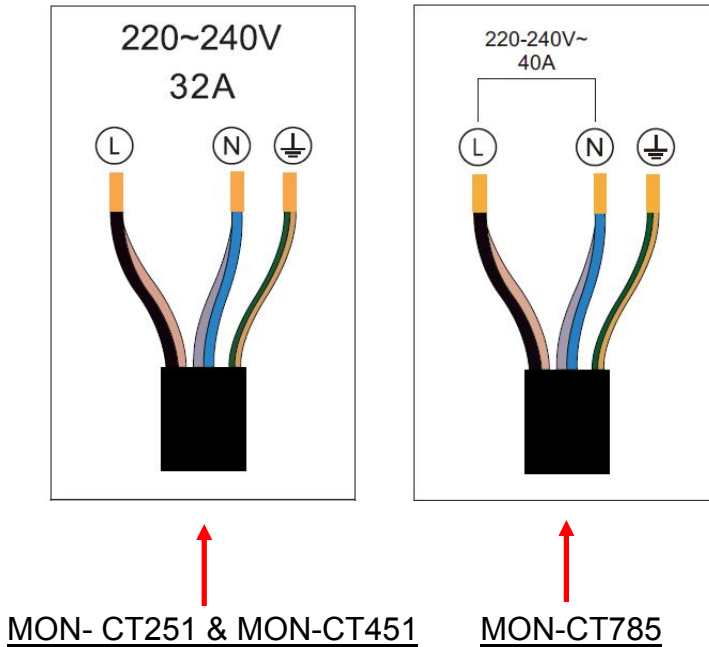


## 1.4. Electrical Connection

These appliances have a total Power Rating of 3267W (MON-CT251), 6000W (MON-CT451) and 8200W (MON-CT785).

All three models must be 'hard wired' into a suitable fused spur (see diagrams below for fuse ratings) adjacent to the appliance housing. The product must be installed by a Qualified Electrician.

Please note that a switchable spur should be accessible above the work surface in order that the power can be turned off.



(See Rating Labels for technical details)

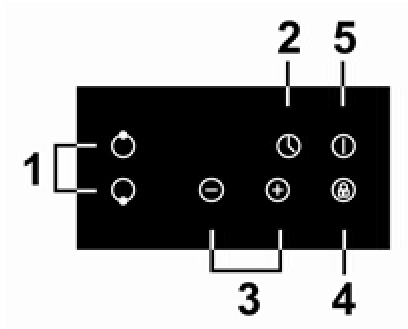
## **Section 2. Safety Advice**

- Please read this booklet thoroughly before installing and switching on the appliance. The manufacturer accepts no responsibility for incorrect installation and usage.
- This appliance is guaranteed for Domestic Use Only. This appliance shall not be used by children aged from 8 years and above and persons with reduced physical, sensory or mental capabilities, or lack of experience and knowledge, unless they have been given supervision or instruction on how to use the appliance in a safe way and understand the hazards involved. Children shall not play with the appliance. Cleaning and user maintenance shall not be made by children without supervision.
- This appliance must only be used for cooking/heating foods and liquids. Do not use it for any other purpose.
- **It is important that you use only metal pans specifically designed and/or approved for use on Ceramic Hobs. Never allow melamine or plastic containers to come in contact with the heat zones.**
- If using an adaptor, this must be used in accordance with the manufacturers instructions and ensure that the electrical circuit is not overloaded as this could cause overheating.
- Do not twist or bend the cables, and keep them away from hot surfaces. Following installation make sure that the power cable is not trapped underneath the appliance.
- Keep the appliance surfaces clean. Failure to do this could lead to the appliance malfunctioning.
- The surface of this appliance will get extremely hot during use. The surface of this appliance will remain hot after it has been turned off. Do not touch or clean the heating zone until it has completely cooled down.
- If the power supply cord is damaged, it must be replaced by the manufacturer, it's service agent or similarly qualified persons in order to avoid a hazard.

## Section 3. Operating the Appliance

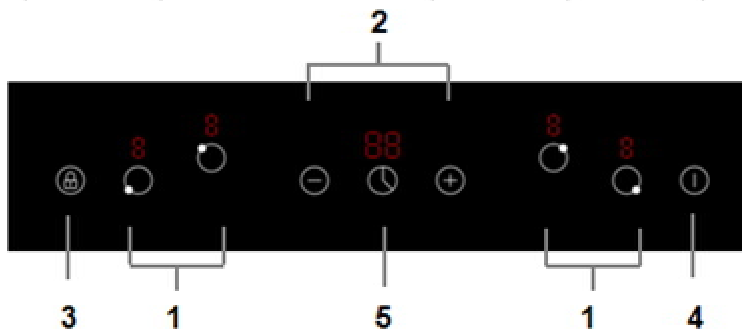
### 3.1. Control Panel

#### 3.1.1. MON-CT251



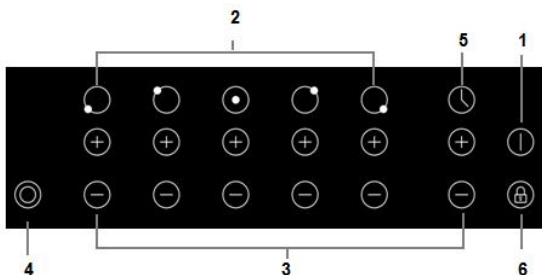
1. Cook Zone Selection Controls
2. Timer Control
3. Power & Timer Regulation Controls
4. Child Lock Control
5. On/Off Control

#### 3.1.2. MON-CT451



1. Cook Zone Selection Controls
2. Power & Timer Regulation Controls
3. Child Lock Control
4. On/Off Control
5. Timer Control

### 3.1.3. MON-CT785



1. On/Off Control
2. Cook Zone Indicators
3. Power & Timer Regulation Controls
4. Dual Zone Control for Centre Cook Zone
5. Timer Indicator
6. Child Lock Control

## 3.2. Timer, Power and Cooking Functions

### 3.2.1. On-Off

To turn the appliance on or off, press and hold the Power On/Off control until you hear a 'beep'. When the appliance powers up, the heat zone indicators will display.

**It is important that you use only metal pans specifically designed and/or approved for use on Ceramic Hobs. Never allow melamine or plastic containers to come in contact with the heat zones.**

### 3.2.2. Setting the Zone Temperature

For models CT251 & CT451, press the required heat zone and then use the '+' or '-' to increase or decrease the power for the required zone and on model CT785 simply press the '+' or '-' to increase or decrease the power for the required zone. Power settings range from '0' lowest to '9' highest setting. N.B. If you do

not select a power setting within 1 minute, the hotplate will automatically switch off.

Press the heat zone control Off when you have finished and then turn the appliance off by pressing the Power Control.

When using the centre Cook Zone (3) you can use the dual 2200/1000W heat setting by pressing the Dual Zone Control (4).

### **3.2.3. Timer (1 to 99 Minutes)**

#### **3.2.3.1. MON-CT251 & MON-CT451**

You can use the Timer to operate one of the heat zones for a time period of between 1 and 99 minutes:

- Press the heat zone button that you want to operate the timer on and select the heat setting level.
- Press the Timer Control.
- Select the required time between 1 and 99 minutes by using the '+' or '-'.
- Now the heat zone will operate for the selected time and automatically turn off at the end of the period. An audible signal will also be heard at the end of the time period.
- If you need to cancel prior to the end of the set time, simply press the heat zone control and then the Timer Control.

#### **3.2.3.2. MON-CT785**

- Press '+' or '-' (3) of the heating zone that you want to operate the timer on and select the heat setting level.
- Press '+' or '-' (3) which is under the timer indicator (5).
- Select the required time between 1 and 99 minutes by using the '+' or '-' controls (3) which is under the timer indicator (5).
- Now the heat zone will operate for the selected time and automatically turn off at the end of the period. An audible signal will also be heard at the end of the time period.
- If you need to cancel prior to the end of the set time, press '+' or '-' (3) of the heating zone and then press '-' which is under the timer indicator (5) to decrease time to 0 minute.

### **3.2.4. Child Lock**

To activate the Child Lock, press and hold the Child Lock control until 'Lo' is displayed. The lock will now be set and the appliance will not operate. To unlock the Child Lock, simply press and hold the Child Lock control again until the display is removed.

### **3.2.5. Hot Surface Warning Indicator**

Please note, a hot surface indicator (H) will show when one or more of the heat zones has been used – it will go out when the zone is completely cool.



## **Section 4. Maintenance**

**Before any maintenance or cleaning work is carried out, DISCONNECT the appliance from the ELECTRICITY supply and ensure that the appliance is completely cool.**

### **4.1. Cleaning the Hob Surface**

Clean spillages from the hob surface as soon as possible after use. Always ensure that the surface has cooled down before cleaning.

Use a soft cloth or kitchen paper to clean the surface. If the spillage has dried on the surface you may need to use a specialist vitro-ceramic glass cleaner, available from all good supermarkets.

Do not use other abrasive cleaners and/or wire wool etc as this may scratch the surface of the hob.

### **4.2. What to do if something goes wrong**

There is no power to the appliance:

- Check there is not a power cut
- Check there is power to the electric socket/appliance
- Has the auto time elapsed? – see section 3.2.3.

After cooking the letter 'H' is displayed:

- This is the hot surface indicator – it will remain on until the appropriate heat zone has completely cooled down.

The hob makes a 'clicking' noise during use:

- This is quite normal – it is the sound of the induction coils during operation.

**YOUR GUARANTEE IS VALID ONLY IN THE UK.**

To Register your Appliance simply complete the card in your appliance pack and return it with a stamp affixed or *Alternatively* you can Register online at [www.repairtechuk.com](http://www.repairtechuk.com)

**SERVICE HELP-LINE**

Should your appliance develop a fault, please call the  
Repairtech Service Helpline on:

**01527-888133**

**DOMESTIC APPLIANCE DISTRIBUTORS;**  
HENRY JOHN HOUSE  
NORTHWAY LANE  
ASHCHURCH  
TEWKESBURY  
GLOUCESTERSHIRE  
GL20 8JH

## Important Note:

This appliance is marked according to the European directive 2002/96/EC on Waste Electrical and Electronic Equipment (WEEE). By ensuring this product is disposed of correctly, you will help prevent potential negative consequences for the environment and human health, which could otherwise be caused by inappropriate waste handling of this product.

The symbol on the product, or on the documents accompanying the product, the Crossed Out Wheelie Bin, indicates that this appliance may not be treated as household waste. Instead it shall be handed over to the applicable collection point for the recycling of electrical and electronic equipment.

Disposal must be carried out in accordance with local environmental regulations for waste disposal. For more detailed information about treatment, recovery and recycling of this product, please contact your local authority, your household waste disposal service or the retailer where you purchased the product.



---

We continuously try to improve our products for the benefit of our customers.

For this reason we reserve the right to make changes to any product at any time, without notice

Issue: 07/15-01-2016