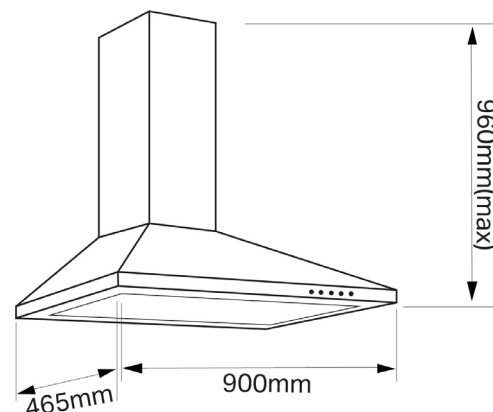


CHC912MSS

Chimney Hood



Specification

3 Speed Motor
2 x 2w LED Lamps
Push Button Controls

2x Aluminium Filters & 1x Charcoal Filter
Inc. Ducting Kit Inc.
Re-Circulated or Vented

Controls	Push Button
Noise Level	63dB (max)
Motor Power	65W
Max Air Flow	350m ³ /h
Energy Consumption	-
Features	Reducer Diameter - 150-120mm
Colour	Stainless Steel
Dimensions	H960 W900 D465mm
Gross Weight	9/10.5kg
Guarantee	2 Year Parts and Labour Guarantee