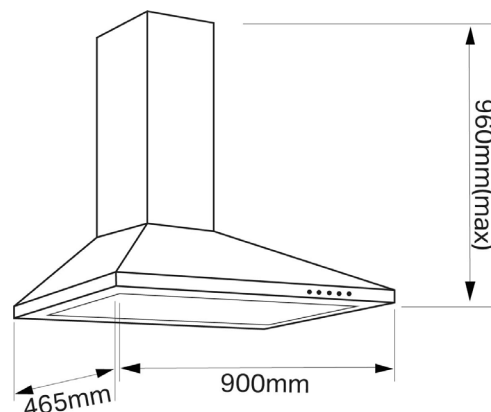


CHC1012MSS Chimney Hood



Specification

3 Speed Motor
2 x 2w LED Lamps
Push Button Controls

2x Aluminium Filters & 1x Charcoal Filter
Inc. Ducting Kit Inc.
Re-Circulated or Vented

Controls	Push Button
Noise Level	61dB (max)
Motor Power	100W
Max Air Flow	550m ³ /h
Energy Consumption	-
Features	Reducer Diameter - 150-120mm
Colour	Stainless Steel
Dimensions	H780 W1000 D500mm
Gross Weight	12.2/14.7kg
Guarantee	2 Year Parts and Labour Guarantee