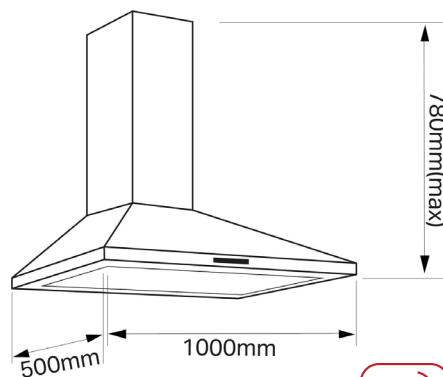


CHC1012MSSREM

Chimney Hood with Remote



Specification

3 Speed Motor
2 x 2w LED Lamps
Touch Controls with Remote

2x Aluminium Filters & 1x Charcoal Filter
Inc. Ducting Kit Inc.
Re-Circulated or Vented

Controls	Touch Controls + Remote
Noise Level	61dB (max)
Motor Power	100W
Max Air Flow	550m ³ /h
Energy Consumption	-
Features	Reducer Diameter- 150-120mm
Colour	Stainless Steel
Dimensions	H780 W1000 D500mm
Gross Weight	12.7-15.5kg
Guarantee	2 Year Parts and Labour Guarantee