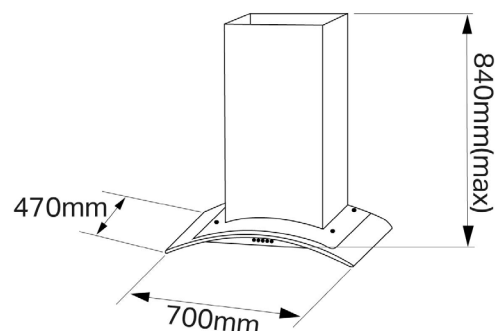


## CHG713MSS

Curved Glass Hood



### Specification

3 Speed Motor  
2 x 1.5w LED Lamps  
Push Button Controls

1x Aluminium Filter Inc.  
1 Charcoal Filter Inc.  
Re-Circulated or Vented

|                           |                                   |
|---------------------------|-----------------------------------|
| <b>Controls</b>           | Push Button                       |
| <b>Noise Level</b>        | 63dB (max)                        |
| <b>Motor Power</b>        | 65W                               |
| <b>Max Air Flow</b>       | 338.4m <sup>3</sup> /h            |
| <b>Energy Consumption</b> | -                                 |
| <b>Features</b>           | Reducer Diameter - 150-120mm      |
| <b>Colour</b>             | Stainless Steel & Glass           |
| <b>Dimensions</b>         | H840 W700 D470mm                  |
| <b>Gross Weight</b>       | 10/11.8kg                         |
| <b>Guarantee</b>          | 2 Year Parts and Labour Guarantee |