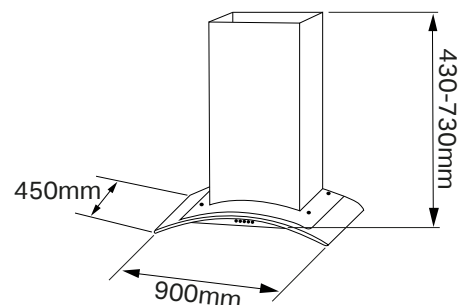


CHG913MSS

Curved Glass Hood



Specification

3 Speed Motor
2 x 1w LED Lamps
Push Button Controls

Aluminium Filter Inc.
Re-Circulated or Vented

Controls	Push Button
Noise Level	66dB (max)
Motor Power	25W
Max Air Flow	400m ³ /h
Energy Consumption	-
Features	150mm ducting kit
Colour	Stainless Steel & Glass
Dimensions	H430-730 W900 D450mm
Gross Weight	11.5/14kg
Guarantee	2 Year Parts and Labour Guarantee