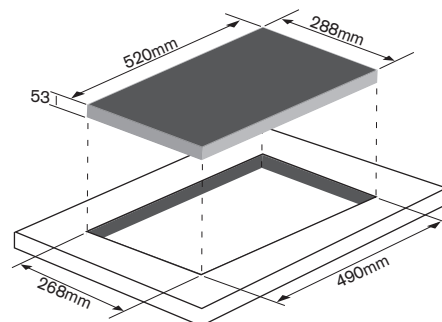


CER31T15 Ceramic Domino Hob



Specification

2 Zone Ceramic Hob
Pre Determined 15 min Cut-Off Timer
Touch Controls

Child Lock
Heat Indicator Light

Zones	2
Controls	Front Touch Controls
Power	3000W
Features	
Colour	Black Vitro Ceramic Glass
Dimensions	H53 W288 D520mm
Cut Out Dimensions	H47 W268 D490mm
Net/Gross Weight	4.5kg/5.3kg
Guarantee	2 Year Parts and Labour Guarantee