

Montpellier

THE PERFECT BALANCE OF FUNCTION AND STYLE

LAUNDRY - DISHWASHING - COOKING - COOLING

Installation and Operating Instructions



Table Top Retro Fridge MAB50 - Red/Black/Cream/White

Please read these instructions carefully before attempting to install or use this appliance.
We recommend that you keep these instructions in a safe place for future reference.

Welcome

Thank you for choosing this Montpellier Table Top Retro Fridge.

Our Retro Refrigeration has been designed to provide you with the best combination of style, reliability and performance to give you years of trouble-free use.

You may be familiar with a similar product, but please take time to read these instructions carefully before installing or using your Fridge to ensure you get the most from your purchase.

We recommend that you keep this manual in a safe place for future reference.



Your Retro Fridge is covered by a comprehensive two year Parts & Labour Guarantee. In the unlikely event that you experience a problem with your Fridge, you can rest assured that you are fully protected against the cost of repairs for the first 24 months. Please note that any claim must be accompanied by the model reference number, serial number and proof of purchase.

To activate your guarantee, you will need your product serial number. This can be found on the rear of the machine.

There are two ways to register your Guarantee:

- **Online:** Visit the Support page on our website and complete the online Product Registration form. www.montpellier-appliances.com
- **By Post:** Simply detach and fill in the form provided, attach a stamp and send it in the post. Don't forget to include your e-mail address so that we can send confirmation through to you.



Note: We are unable to take registrations over the phone.

SAFETY TIPS

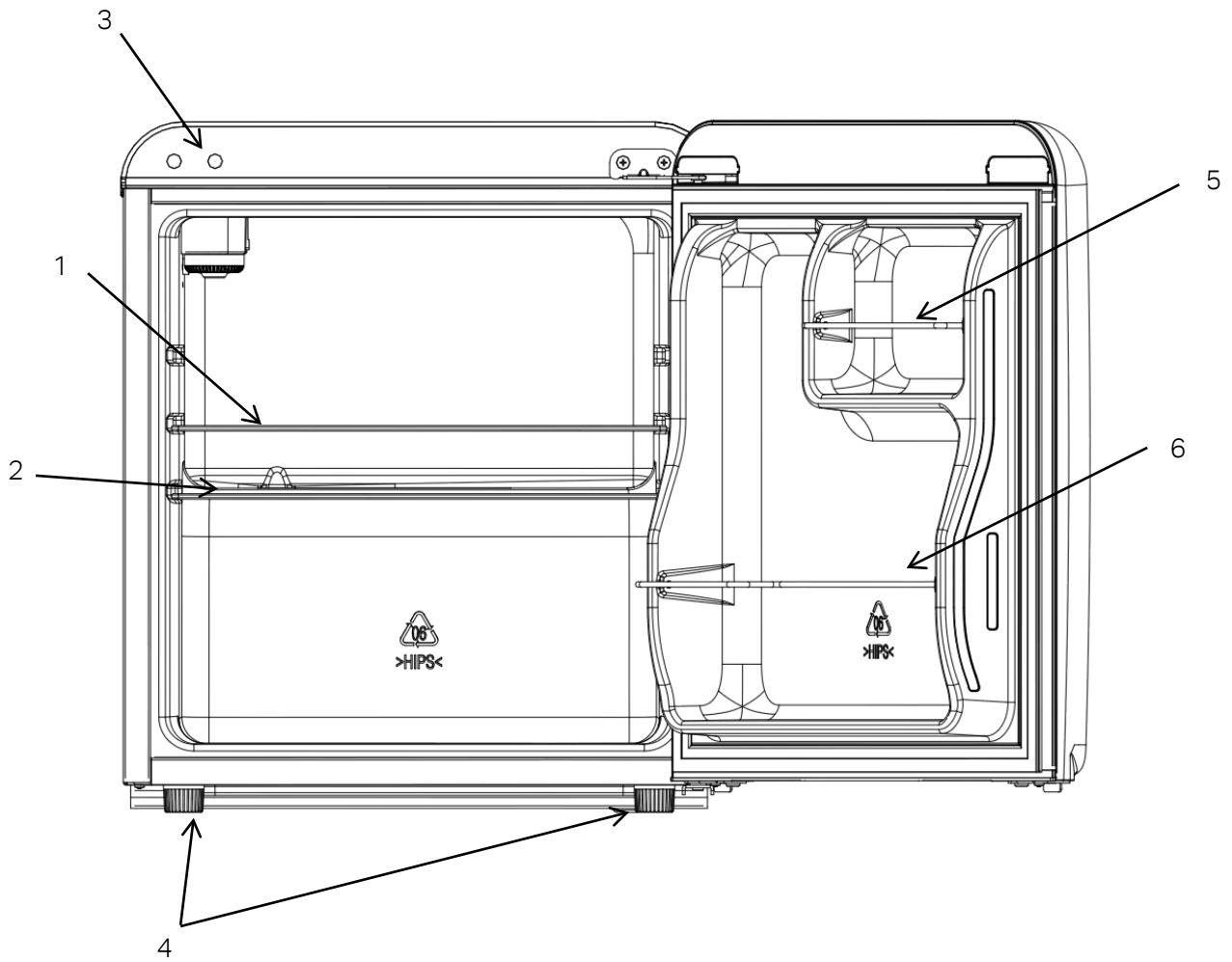
1. **WARNING:** Keep ventilation openings, in the appliance enclosure or in the built-in structure, clear of obstruction.
2. **WARNING:** Do not use mechanical devices or other means to accelerate the defrosting process, other than those recommended by the manufacturer.
3. **WARNING:** Do not damage the refrigerant circuit.
4. **WARNING:** Do not use electrical appliances inside the food storage compartments of the appliance, unless they are of the type recommended by the manufacturer.
5. Do not store explosive substances such as aerosol cans with a flammable propellant in this appliance.
6. The appliance must be unplugged after use and before carrying out user maintenance on the appliance.
7. This appliance is not intended for use by persons (including children) with reduced physical, sensory or mental capabilities, or lack of experience and knowledge, unless they have been given supervision or instruction concerning use of the appliance by a person responsible for their safety.
8. Children should be supervised to ensure that they do not play with the appliance.
9. If the supply cord is damaged, it must be replaced by the manufacturer, its service agent or similarly qualified persons in order to avoid a hazard.
10. This appliance is intended to be used in household and similar applications such as
 - staff kitchen areas in shops, offices and other working environments;
 - farm houses and by clients in hotels, motels and other residential type environments;
 - bed and breakfast type environments;
 - catering and similar non-retail applications.
11. Please dispose of the refrigerator at the end of its life according to local regulations as it has flammable blowing gas and flammable refrigerant.
12. Before you scrap the appliance, please take off the doors to prevent children from being trapped inside.



13. Correct Disposal of this product

This marking indicates that this product should not be disposed with other household wastes within the EU. To prevent possible harm to the environment or human health from uncontrolled waste disposal, recycle it responsibly to promote the sustainable reuse of material resources. To return your used appliance, please use any available return and collection systems or contact the retailer where the product was purchased. They can take the product for environmentally safe recycling.

PARTS & FEATURES



- 1 Glass Shelf - Top
- 2 Glass Shelf - Bottom
- 3 Screw Hole Cap
- 4 Adjustable Feet
- 5 Door Balcony A
- 6 Door Balcony B

Before Using Your REFRIGERATOR

Remove the exterior and interior packing.

Before connecting the refrigerator to the power source, let it stand upright for approximately 2 hours. This will reduce the possibility of a malfunction in the cooling system from handling during transportation.

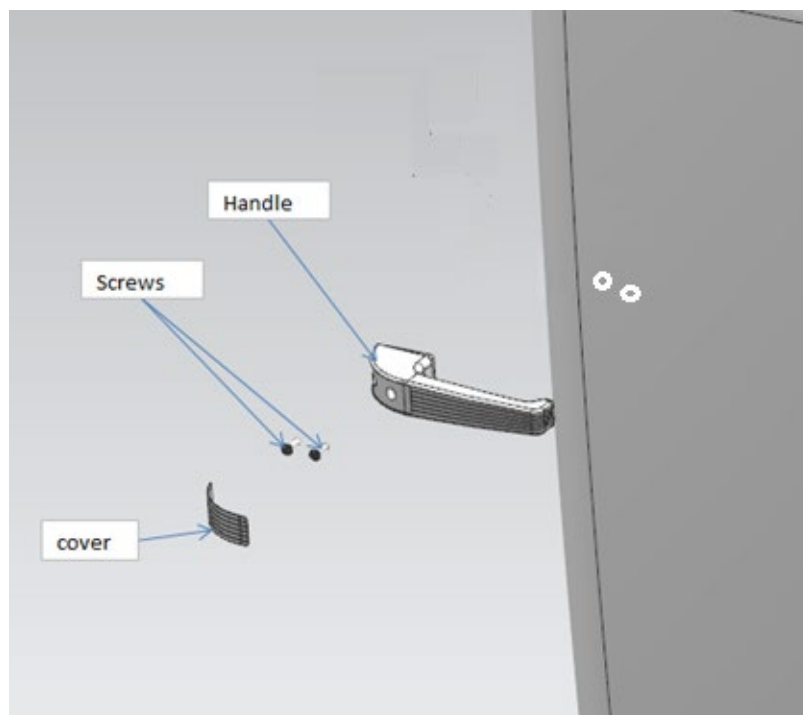
Check to be sure you have all of the following parts:

- 2 x Bottle balustrade
- 2 Glass Shelves
- 1 x Instruction Manual
- 2 x Handles and screws

Clean the interior surface with lukewarm water using a soft cloth.

Handle Installation

The 2 handles are placed in the accessory bag, which can be easily fixed on the doors by 2 screws then clip the screw cover.



SPACE REQUIREMENTS

WARNING: Keep flammable materials and vapors, such as gasoline, away from refrigerator. Failure to do so can result in death, explosion, fire or burns.

To ensure proper ventilation for your refrigerator, allow for 200mm space on each side between walls 200mm space between back of your refrigerator and the wall, and 300mm space between counter top and the top of the appliance. If you are installing your refrigerator next to a fixed wall, leave sufficient space on the hinge side to allow for the door to swing open. Never install your refrigerator near a heat source or direct sunlight.

ELECTRICAL REQUIREMENT

WARNING: DO NOT REMOVE EARTH CABLE
DO NOT USE AN ADAPTOR
DO NOT USE EXTENSION CORD

Failure to follow these instructions can result in death, fire or electrical shock.

Before you move your refrigerator into its final location, it is important to make sure you have the proper electrical connection

Recommended Earthing Method

A 220~240 Volt/60 Hz AC only 10 amp fused and properly earthed electrical supply is required. It is recommended that a separate circuit serving only this appliance be provided. Use a socket which ideally cannot be turned off with a switch or pull chain. Do not use an extension cord. **NOTE:** Before performing any type of installation, disconnect the refrigerator from the electrical source. When you are finished, connect the refrigerator to the electrical source and reset the control to the desired setting.

LEVELING

If the refrigerator is not leveled during installation. The doors may not close or seal properly, which causing cooling, frost or moisture problems. It is very important for the refrigerator to be leveled in order to function properly

To level your refrigerator, you may either turn the level leg clockwise to raise that side of the refrigerator or turn counter-clockwise to lower that side.

USE OF THE APPLIANCE

Your unit has only one control for regulating the temperature in the compartment. The temperature control is located on the upper right-hand side of the compartment.

The first time you turn the unit on, set the temperature control to "7".

The range of the temperature control is from position "OFF" to "7". After 24 to 48 hours, adjust the temperature control to the setting that best suits your needs. The setting of "4" should be appropriate for home or office use.

To turn the appliance off, turn the temperature control to "OFF".

NOTE:

Turning the temperature control to "OFF" position stops the cooling cycle but does not shut off the power to the unit. If the unit is unplugged, has lost power, or is turned off, you must wait 3 to 5 minutes before restarting the unit. If you attempt to restart before this time delay, the unit will not start.

PROLONGED OFF PERIODS

If the refrigerator is not used for a long period of time, proceed as follows:

Disconnect the refrigerator from the main supply by removing the plug from the wall socket. Clean and dry the inside as instructed under the heading before using your fridge. Leave the door open to prevent any unpleasant smells from building up while the refrigerator is not in use.

TROUBLESHOOTING

In case of malfunction, you can solve many common problems easily. Your Refrigerator will not operate...Check if

- The power supply cord is unplugged.
- The thermostat knob is set to OFF position

The light doesn't work...Check if

- The power supply cord is unplugged.
- A household fuse or circuit breaker has tripped.
- A light bulb is loose in the socket.
- A light bulb has burned out.

Food in the refrigerator compartment freezing... Check if

- The thermostat knob is set too cold
- The position of food stored touches the refrigerator back wall.

Food in the refrigerator compartment is not cold...Check if

- The door is opened too often or not closed properly.
- A large amount of food has just been added to the refrigerator.
- The position of the thermostat knob is adjusted too low.

Melted frost leaking inside compartment or on floor...Check if

- The drain pipe is blocked.
- Water tray is in correct place.

The refrigerator seems to make an unusual noise...Check if

- The refrigerator is leveled on the floor.
- The refrigerator cabinet touches the wall.
- The water tray is in correct place.

There is interior moisture build-up...Check if

- The air vents are blocked in the refrigerator.
- The door is opened too often
- The room is humid.
- The food is not packaged correctly
- The control is not set correctly according to the surrounding conditions.

The doors will not close completely...Check if

- The shelves are out of position
- The gaskets are dirty
- The fridge is not level

Product Specification - MAB50 – Table Top Retro Fridge

Basic features	Unit	
Energy efficiency class		A+
Climate class (SN=10~32°C, N=16~32°C, ST=18~38°C, T=18~43°C)		N, ST
Energy consumption per annum	kWh/annum	107 (EN153)
Energy consumption (EN153/GB12021) per 24 h	kWh/24 h	0.293 (EN153)
Energy Efficiency Index (Directive 2003/66/EC and the EN 153/GB12021)		<33
Gross capacity	l	46
Net capacity	l	45
Max noise level	dB(A)	40
Kind of coolant (R134a/R600a)		R600a
Foaming components (R141b / R134a / C-P)	PU/	C-P
Defrosting Type (M>manual A=automatic SM=Smart manual)		A
Control system (E = Electronic / M = Mechanical)		M
Temperature range (from>to)	°C	0~10
Adjustable thermostat (Y=Yes / N=No)		Y
Depth with open door	cm	88.0
Voltage / frequency		220-240V/50Hz
Input power / mains fuse (intensity)	W /A	60W/0.5A
Storage rack(s)	n°	2
Reversible door		NO
Adjustable feet (front / rear)	n° / n°	2/0
Length of cable/incl. plug (cm)	cm	150
Unit dimensions without handle (H / W / D)	cm	50.7x43.5x50.5
Packing dimensions (H / W / D)	cm	53.5X46.5X54.0
Net weight	kg	16
Gross weight	kg	18

Here For You

After-sales assistance

If you continue to experience problems with your Retro Fridge, please call the Montpellier customer service helpline on: **01759 487839**

Please have all your product details available, including the model number, serial number, date of purchase, and your retailer's details before registering a fault.

The service call cannot progress without this information.

Your 2 year Manufacturer's guarantee

THIS DOES NOT AFFECT YOUR STATUTORY RIGHTS.

Your new Montpellier appliance carries a free guarantee which protects you against the cost of repairs during the first 24 months from date of purchase provided that:

Any claim is accompanied by evidence of the model reference, model serial number and proof of purchase, such as a Sales Receipt, showing that the appliance was purchased within the 24 months prior to the date of claim.

What is not covered under the Guarantee

- Any appliance not correctly installed and operated in accordance with the manufacturer's instructions.
- Any appliance that is used for anything other than domestic purposes.
- Any defect caused by accident, misuse, unauthorised modification or inexpert repair.
- Cost of Call-out where a fault cannot be found with the appliance.
- Cost of Call-out for work covering routine maintenance, such as, but not exclusively, cleaning of filters or defrosting.
- Cost of Call-out for work required to correct the alignment of doors following door reversal procedures carried out by you.
- Use of the appliance by anyone other than the Householder.
- Use in any commercial environment.
- Consumable items, such as, but not exclusively, fuses in plugs, bulbs and breakable items which require routine replacement.
- Repair costs incurred that have not been authorised by Montpellier and/or carried out by a non-approved Montpellier engineer.
- Montpellier Appliances do not accept claims for consequential loss, rusting, corroding, delivery damage or scratches.

YOUR GUARANTEE IS VALID ONLY IN THE UK.

To register your appliance simply complete the card in your appliance pack and return it with a stamp affixed or alternatively you can register online at **www.montpellier-appliances.com/support**

SERVICE HELP-LINE

Should your appliance develop a fault, please call the Montpellier customer service helpline on: **01759 487839**

Please remember to have all your product details available, including the model number, serial number, date of purchase and your retailer's details before registering a fault.

Montpellier Domestic Appliances Ltd.

Unit 1, Tewkesbury Retail Park, Northway Lane,
Tewkesbury, Gloucestershire GL20 8JU

www.montpellier-appliances.com



The symbol on the product or on its packaging indicates that this product may not be treated as household waste. Instead it shall be handed over to the applicable collection point for the recycling of electrical and electronic equipment. By ensuring this product is disposed of correctly, you will help prevent potential negative consequences for the environment and human health, which could otherwise be caused by inappropriate waste handling of this product. For more detailed information about recycling of this product, please contact your local city office, your household waste disposal service or the shop where you purchased the product.