

montpellier

Installation and Operating Instructions

**MODEL: SFO56MX/SFO57MX
Built-In Oven**



(Picture shown for indicative purposes only)

Please read these instructions carefully before attempting to install or use this appliance.
It is advisable to keep these instructions in a safe place for future reference.

Introduction

Thank you for choosing this **montpellier** branded appliance. It has been designed to give years of trouble-free use provided it is installed and maintained correctly.

Please read these instructions carefully before installing or using your appliance. It is advisable to keep your purchase and installation receipts with these instructions in a safe place for future reference. Included is some important safety information in addition to guidelines and recommendations that will enable you to take full advantage of all the functions available.

This quality appliance has been tested and certified to meet all applicable UK electrical and safety standards.

This appliance must be installed and connected in accordance with current regulations.

After unpacking the appliance ensure that there is no visible damage. If the appliance has been damaged during transit, do not use it, contact your retailer immediately.

Your 2 year Manufacturer's guarantee

THIS DOES NOT AFFECT YOUR STATUTORY RIGHTS.

Your new **montpellier** appliance carries a free guarantee which protects you against the cost of repairs during the first 24 months from date of purchase provided that:
Any claim is accompanied by evidence of the model reference, model serial number and proof of purchase, such as a Sales Receipt, showing that the appliance was purchased within the 24 months prior to the date of claim.

What is not covered under the Guarantee:

- Any appliance not correctly installed and operated in accordance with the manufacturer's instructions.
- Any appliance that is used for anything other than domestic purposes.
- Any defect caused by accident, misuse, unauthorized modification or inexpert repair.
- Cost of Call-out where a fault cannot be found with the appliance.
- Cost of Call-out for work covering routine maintenance, such as, but not exclusively, cleaning of filters or defrosting.
- Cost of Call-out for work required to correct the alignment of doors following door reversal procedures carried out by you.
- Use of the appliance by anyone other than the Householder.
- Use in any commercial environment.
- Consumable items, such as, but not exclusively, fuses in plugs, bulbs and breakable items which require routine replacement.
- Repair costs incurred that have not been authorised by Repairtech and/or carried out by a non-approved Repairtech engineer.

YOUR GUARANTEE IS VALID ONLY IN THE UK.

To Register your Appliance simply complete the card in your appliance pack and return it with a stamp affixed or *Alternatively* you can Register online at www.repairtechuk.com

SERVICE HELP-LINE

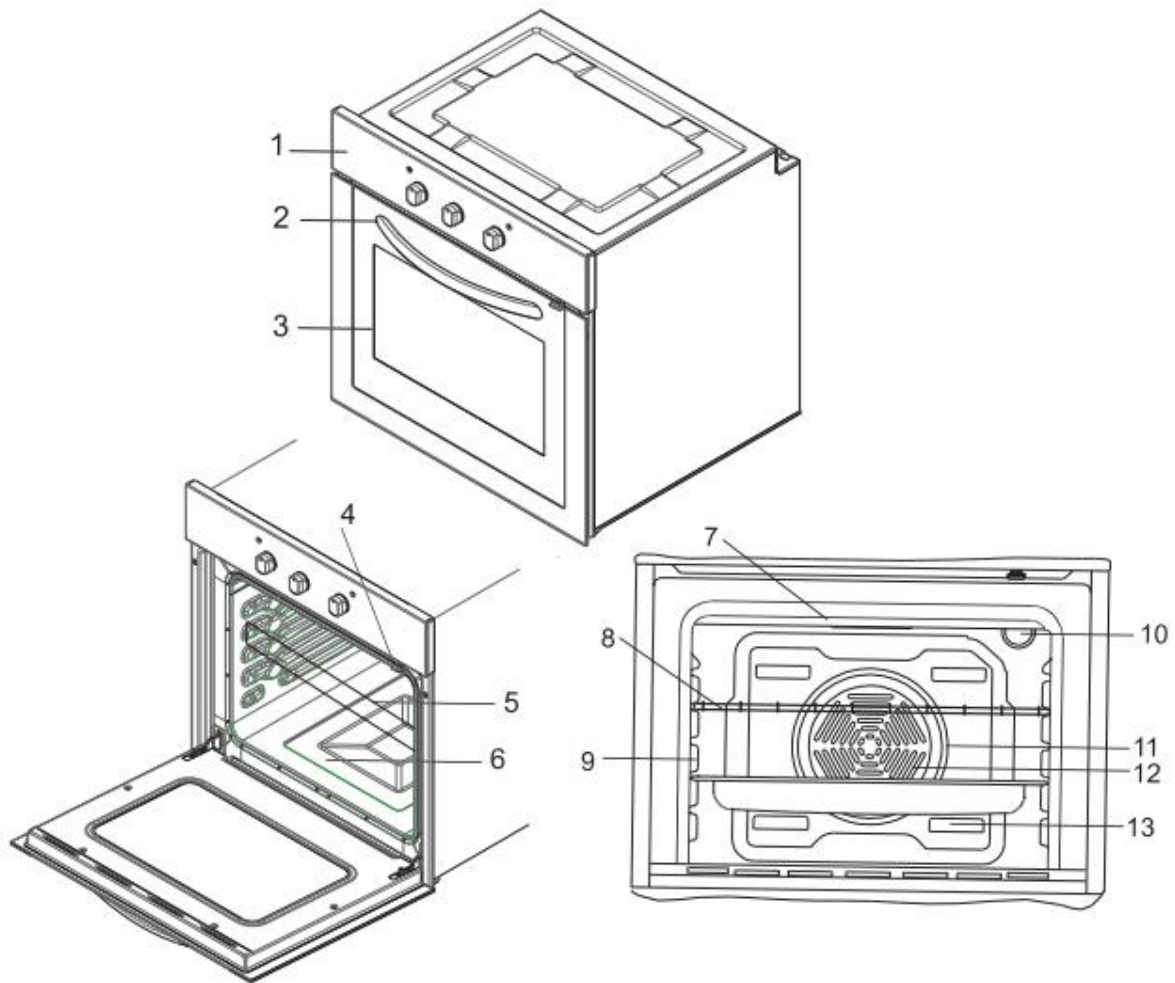
Should your appliance develop a fault, please call the
Repairtech Service Helpline on:

01527-888133

Please remember to have all your product details available, including the model number, serial number, date of purchase and your retailers details before registering a fault.

Your service call cannot progress without this information.

Description of the Appliance



1. Control Panel
2. Handle
3. Oven Door
4. Child Lock
5. Tray
6. Lower Heating Element
7. Upper Heating Element

8. Wire Grill
9. Racks
10. Oven Light
11. Turbo Heating Element
12. Fan
13. Air Outlet Shutters

CONTENTS:

Section 1. Installation

Section 2. Safety Advice

Section 3. Operating the Appliance

Section 4. Maintenance

Section 1. Installation

- Remove all packaging and protective film from the appliance.
- Position the appliance in a dry atmosphere.
- The following dimensions are provided as a guide for installation . your installer will carry out the installation in accordance with the current regulations.
- Your installer will connect the power cable in accordance with the current regulations.

To install this appliance, please proceed as follows:

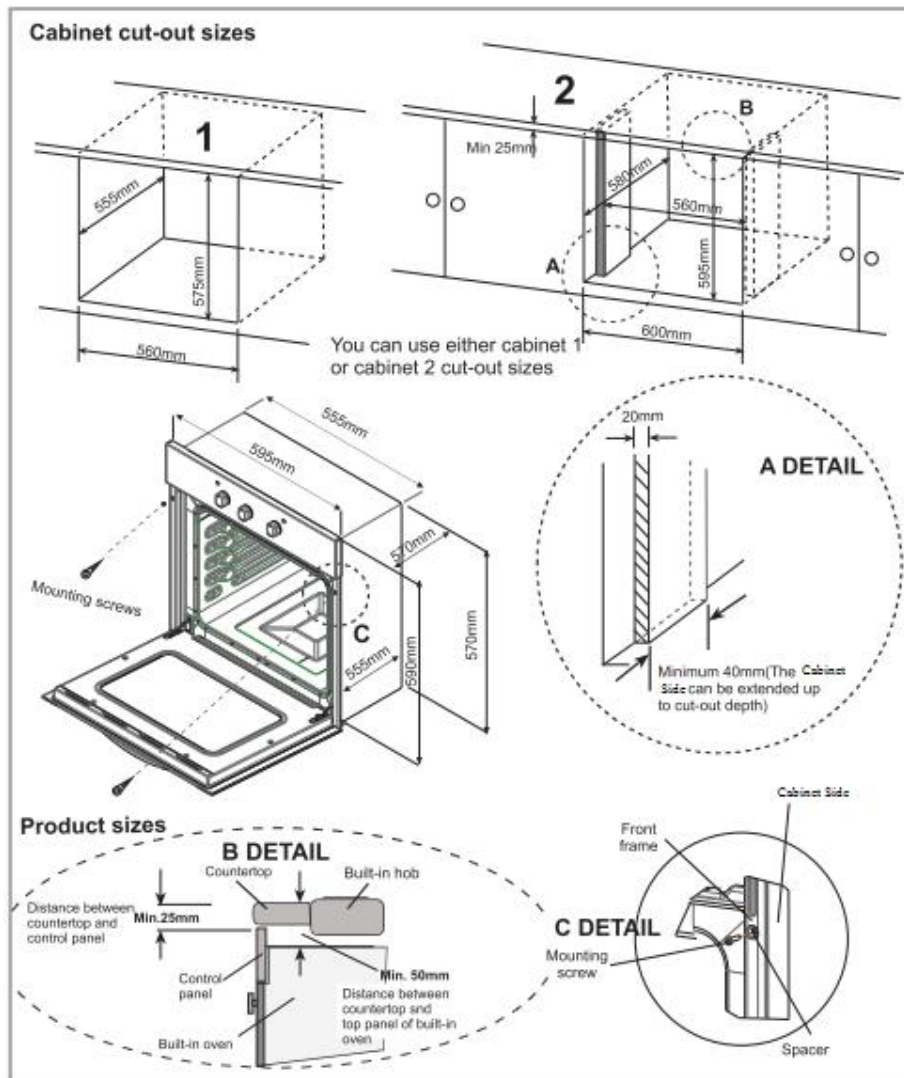
1.1. Choosing a location for your oven

When choosing a location for your oven, ensure that there are no flammable or combustible materials in the close vicinity, such as curtains. You may be required to make changes to the area surrounding your built-in oven. These recommendations can be seen in the image below.

Do not site your oven next to a cooling appliance.



1.2. Installing your Built-in Oven



Insert the oven into cabinet by pushing it forward. Open the oven door and insert 2 screws in the holes located on the oven frame. While the product frame touches the wooden surface of cabinet, tighten the screws.

In a correct installation, contact with electrical or insulated parts must be prevented. Insulating parts must be fitted in a way that ensures they cannot be removed using any kind of tool. We do not recommend installing this appliance near a refrigerator or freezer as they performance of those appliances will be negatively affected due to residual heat. After removing your appliance from its packaging ensure that there is no damage. If you suspect any damage to the appliance, do not use it and contact the Repairtech Service helpline immediately.

1.3. Electrical Connection

This appliance can be fitted with a 13 amp plug and plugged into a standard 13 amp socket.

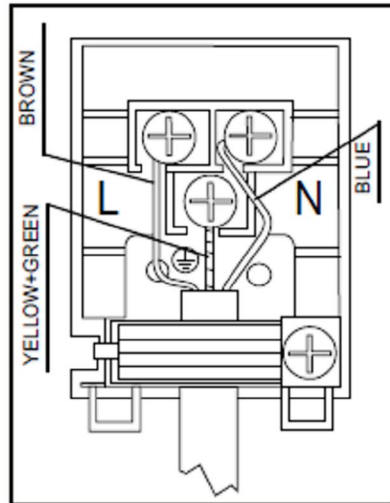
We recommend that it is hard wired to a suitable fused point adjacent to the appliance housing and protected with a 20 amp fuse. Please note that a switchable spur should be accessible above the work surface to allow the power to be turned off by the consumer.

Your installer will connect this appliance in accordance with current regulations.

The wires in the mains lead are coloured in accordance with the following code:

Brown = L (Live), Blue = N (Neutral), Green/Yellow = Earth

If not supplied with a fitted cable, you should connect the power supply to the appliance as follows:

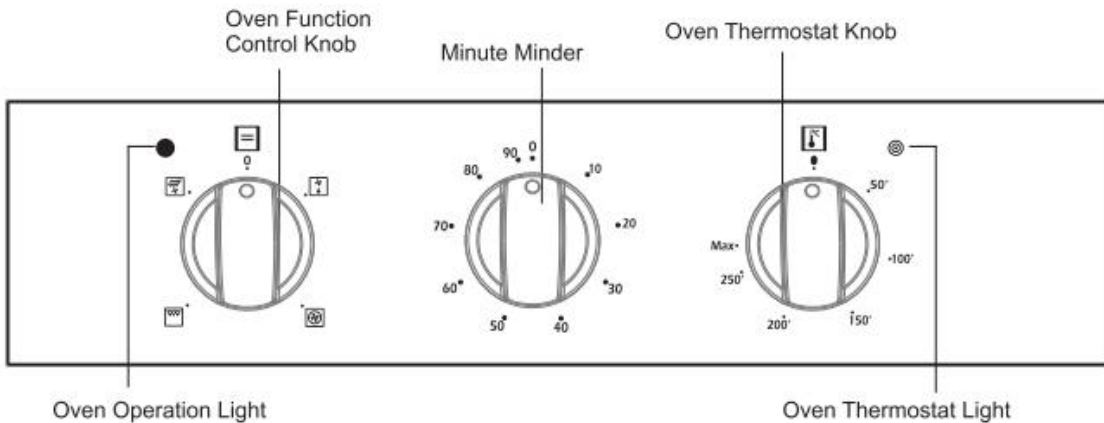


Section 2. Safety Advice

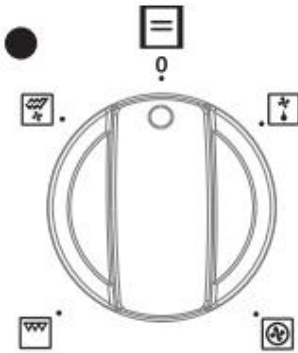
- Please read this booklet thoroughly before installing and switching on the appliance. The manufacturer accepts no responsibility for incorrect installation and usage.
- This appliance is guaranteed for Domestic Use Only.
- The appliance is not intended for use by persons (including children) with reduced physical, sensory or mental capabilities, or lack of experience and knowledge, unless they have been given supervision or instruction concerning the use of the appliance by a person responsible for their safety. Children should be supervised to ensure that they do not play with the appliance.
- This appliance must only be used for cooking/heating foods and liquids. Do not use it for any other purpose.
- If using an adaptor, this must be used in accordance with the manufacturers instructions and ensure that the electrical circuit is not overloaded as this could cause overheating.
- Do not twist or bend the cables, and keep them away from hot surfaces.
- Following installation make sure that the power cable is not trapped underneath the appliance.
- Keep the appliance surfaces clean. Failure to do this could lead to the appliance malfunctioning.
- The surface of this appliance will get hot during use. The surface of this appliance will remain hot after it has been turned off.
- If the power supply cord is damaged, it must be replaced by a qualified person in order to avoid a hazard.


Section 3. Operating the Appliance

3.1. Control Panel





3.2 Oven Function Control Knob




Defrost Function  . The oven warning lights will be turned on and the fan will start operating.

To use the defrost function, we recommend you place your food on the third shelf from bottom. This function will not cook or bake your food, it will only help defrost it.

Turbo Function  . The oven thermostat and warning lights will be turned on and the ring heating element and fan will start operating. The turbo function evenly disperses heat in the oven. All foods on all racks will be cooked evenly. We recommend pre-heating the oven for 10 minutes.

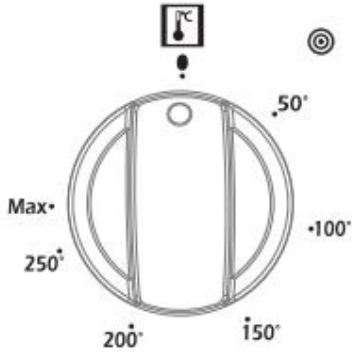
Grilling Function  . The oven thermostat and warning lights will be turned on and the grill heating element will start operating. The function is used for grilling and toasting foods, use the upper shelves of the oven. We recommend lightly brushing the wire grid with oil to stop foods sticking and placing the food in the centre of the grid.

Warning: When grilling, the oven door must be closed and the oven temperature should be adjusted to 190C.

Faster Grilling Function  . The oven thermostat and warning lights will be turned on and the grill and upper heating elements will start operating. This function is used for faster grilling and for grilling a larger surface area. We recommend lightly brushing the wire grid with oil to stop foods sticking and placing the food in the centre of the grid.

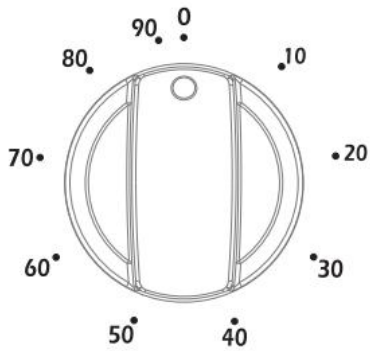
Warning: When grilling, the oven door must be closed and the oven temperature should be adjusted to 190C.

3.3. Thermostat and Timer



Oven Thermostat - Once you have selected an oven cooking function you are able to adjust the oven thermostat knob to the desired temperature. Upon reaching the selected temperature the indicator light will switch off.

The thermostat signal light will be on or off in order to maintain the temperature.



Timer . You are able to set the desired cooking time by turning the timer knob clockwise. Once the timer finishes it will make a beep sound.

Please note that this timer will not switch the oven off.

Section 4. Maintenance

Before any maintenance or cleaning work is carried out, **DISCONNECT** the appliance from the **ELECTRICITY** supply and ensure that the appliance is completely cool.

4.1. Cleaning the interior of the oven

Clean spillages from inside the oven as soon as possible after use.

Ensure the oven is turned off before cleaning. You will obtain the best cleaning results if you clean the oven interior while it is slightly warm. To clean, wipe your oven with a soft piece of cloth dampened with soapy water. After this wipe the oven with another soft piece of cloth, dampened with water, once complete, dry the oven interior.

Do not use other abrasive cleaners and/or wire wool etc as this may damage the interior of your oven.

4.2. What to do if something goes wrong

There is no power to the appliance:

- Check there is not a power cut
- Check there is power to the electric socket/appliance
- Check the fuse in the plug (must be 13 amp)

The oven does not heat:

- Check that the temperature of the oven thermostat has been correctly used.

The oven is not cooking food evenly:

- Adjust the shelf locations, cooking time and heat values accordingly.

If after the previous checks there is still a fault, please contact the Repairtech Service Helpline below. Please ensure that you have the model number, serial number, date of purchase and retailers information available before you make the call.

**Should your appliance develop a fault, please call the Repairtech Service Helpline on:
01527-888133**

Important Note:

This appliance is marked according to the European directive 2002/96/EC on Waste Electrical and Electronic Equipment (WEEE). By ensuring this product is disposed of correctly, you will help prevent potential negative consequences for the environment and human health, which could otherwise be caused by inappropriate waste handling of this product.

The symbol on the product, or on the documents accompanying the product, the Crossed Out Wheelie Bin, indicates that this appliance may not be treated as household waste. Instead it shall be handed over to the applicable collection point for the recycling of electrical and electronic equipment.

Disposal must be carried out in accordance with local environmental regulations for waste disposal. For more detailed information about treatment, recovery and recycling of this product, please contact your local authority, your household waste disposal service or the retailer where you purchased the product.



We continuously try to improve our products for the benefit of our customers. For this reason we reserve the right to make changes to any product at any time, without notice