

montpellier

Installation and Operating Instructions

CHG903MSS

90cm Stainless Steel & Glass CHIMNEY HOOD



(Picture shown for indicative purposes only)

**Please read these instructions carefully before attempting to install or use this appliance.
It is advisable to keep these instructions in a safe place for future reference.
N.B. Should your appliance require attention, our service agents will not be able to book
a service call without your unique serial number which can be found on the last page of
this manual.**

Introduction

Thank you for choosing this **montpellier** appliance. It has been designed to give years of trouble-free use provided it is installed and maintained correctly.

Please read these instructions carefully before installing or using your appliance. It is advisable to keep your purchase and installation receipts with these instructions in a safe place for future reference. Included is some important safety information in addition to guidelines and recommendations that will enable you to take full advantage of all the functions available.

This quality appliance has been tested and certified to meet all applicable UK electrical and safety standards.

This appliance must be installed and connected in accordance with current regulations by a qualified electrician.

After unpacking the appliance ensure that there is no visible damage. If the appliance has been damaged during transit, do not use it, contact your retailer immediately.

Your 2 year Manufacturer's guarantee

THIS DOES NOT AFFECT YOUR STATUTORY RIGHTS.

Your new **montpellier** appliance carries a free guarantee which protects you against the cost of repairs during the first 24 months from date of purchase provided that:

Any claim is accompanied by evidence of the model reference, model serial number and proof of purchase, such as a Sales Receipt, showing that the appliance was purchased within the 24 months prior to the date of claim.

What is not covered under the Guarantee:

- Any appliance not correctly installed and operated in accordance with the manufacturer's instructions.
- Any appliance that is used for anything other than domestic purposes.
- Any defect caused by accident, misuse, unauthorized modification or inexpert repair.
- Cost of Call-out where a fault cannot be found with the appliance.
- Cost of Call-out for work covering routine maintenance, such as, but not exclusively, cleaning of filters or defrosting.
- Cost of Call-out for work required to correct the alignment of doors following door reversal procedures carried out by you.
- Use of the appliance by anyone other than the Householder.
- Use in any commercial environment.
- Consumable items, such as, but not exclusively, fuses in plugs, bulbs and breakable items which require routine replacement.
- Repair costs incurred that have not been authorised by Repairtech and/or carried out by a non-approved Repairtech engineer.

YOUR GUARANTEE IS VALID ONLY IN THE UK.

To Register your Appliance simply complete the card in your appliance pack and return it with a stamp affixed or Alternatively you can Register online at www.repairtechuk.com

SERVICE HELP-LINE

Should your appliance develop a fault, please call the

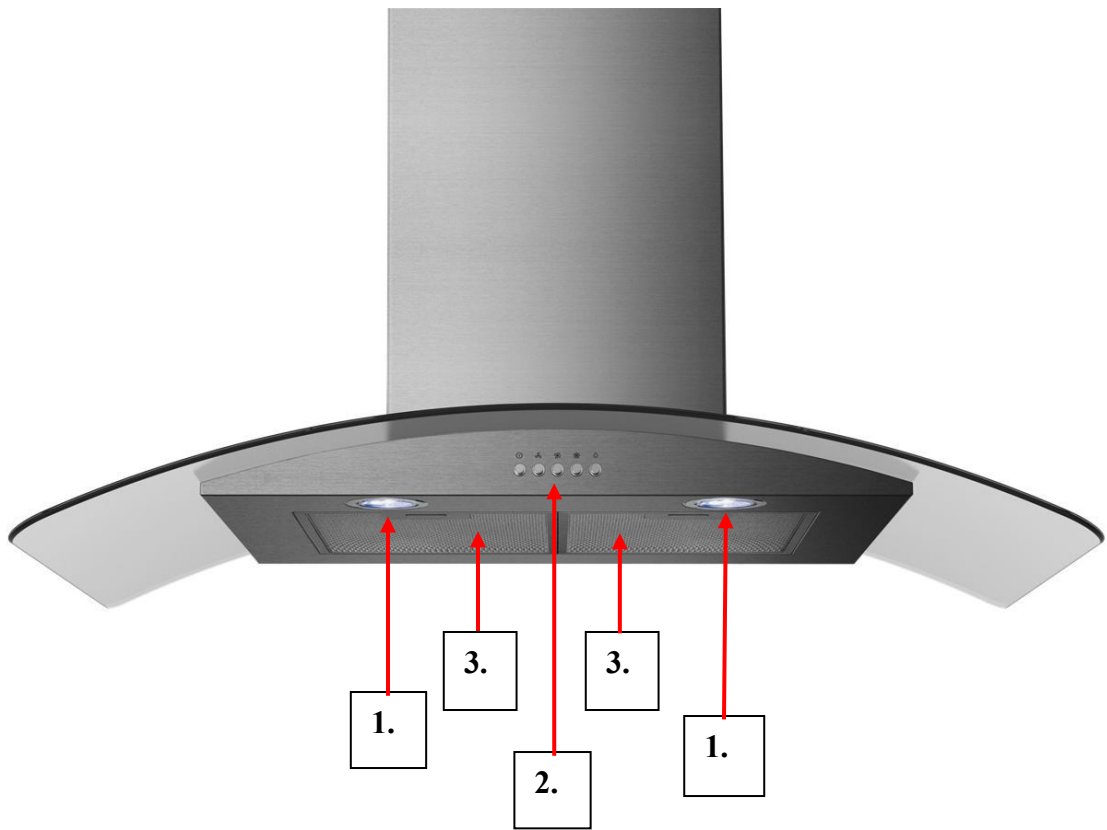
Repairtech Service Helpline on:

01527-888133

Please remember to have all your product details available, including the model number, serial number, date of purchase and your retailer's details before registering a fault.

Your service call cannot progress without this information.

Description of the Appliance



1. Lights
2. Function Control Panel
3. Filter(s)

CONTENTS:

Section 1. Installation

Section 2. Safety Advice

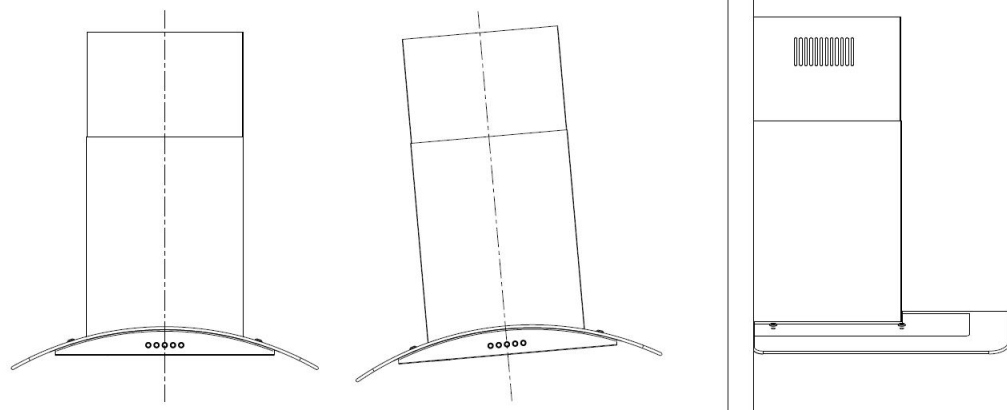
Section 3. Operating the Appliance

Section 4. Maintenance

Section 5. Circuit Diagram

Section 1. Installation

- **A qualified installer must carry out the installation.**
- This appliance can be used fully 'vented' via a ducting hose and external wall vent, or in 're-circulation' mode by using the charcoal filter provided.
- You must ensure that the appliance is horizontal (See Fig. 1 below).
- The cooker hood should ideally be installed between 65-75cm above the work surface/cooker hob. **DO NOT INSTALL BELOW 65cm** (See Fig. 2 below).
- List of installation accessories (See Fig. 3 below).
- Fit the installation plate and chimney installation plate to the wall (See Fig. 4 below).
- Fit the exhaust pipe, chimney and glass to the main body (See Fig.5 below).
- Hang the hood onto the installation plate (See Fig. 6 below).
- Connect the exhaust hose and then secure to the chimney installation plate (See Fig.7 below).
- Connect the chimney extension to the hood (See Fig. 8 below).
- **Ensure that the appliance has been attached to the wall securely!**
- The mains lead/plug should be connected to a suitably positioned fused electrical spur, protected by a 13amp fuse.



Right

Wrong

Fig.1

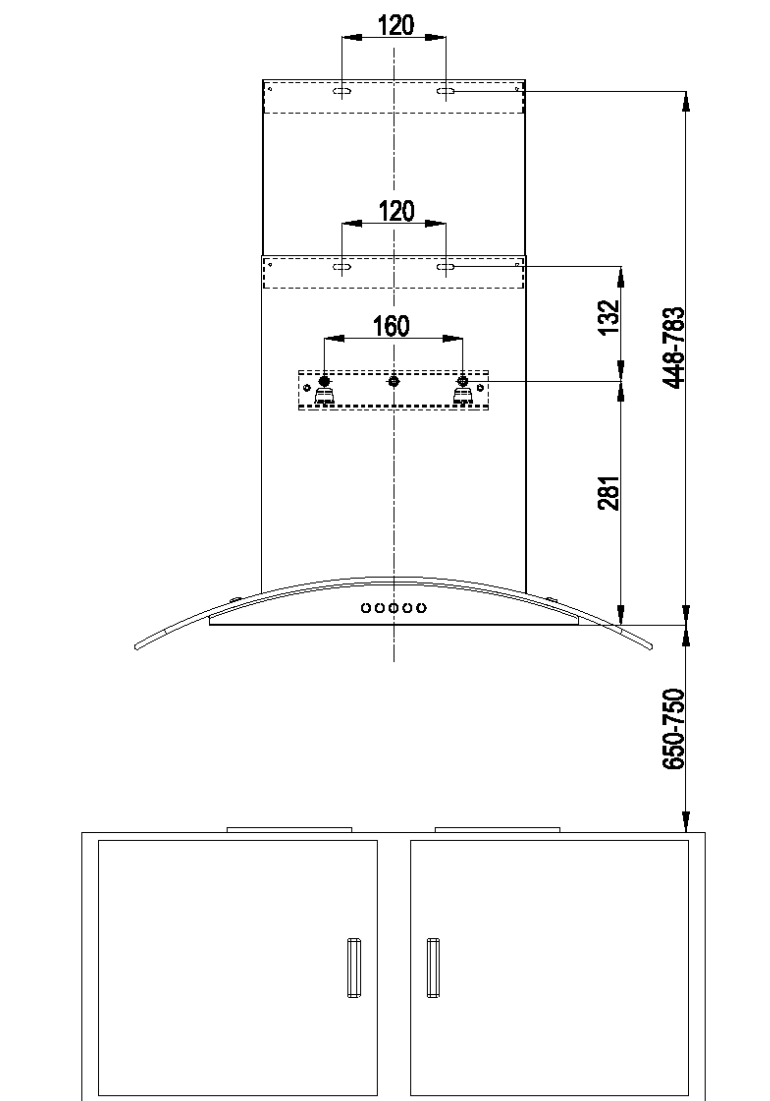


Fig.2

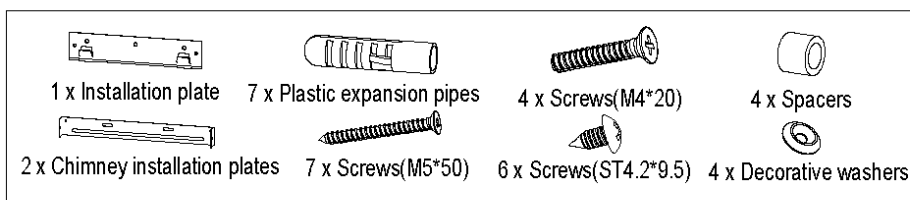


Fig.3

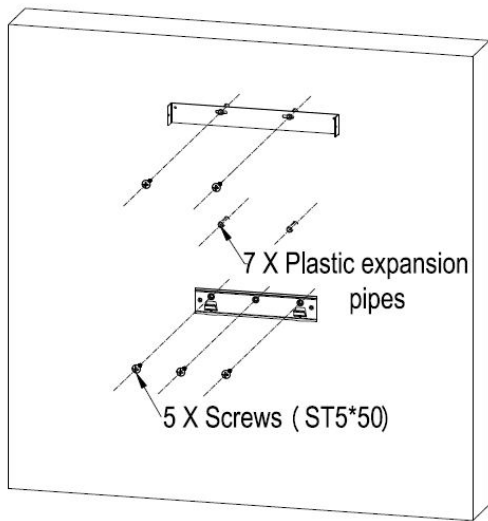


Fig.4

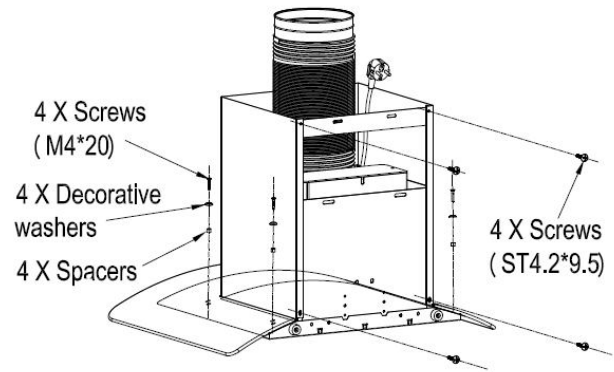


Fig.5

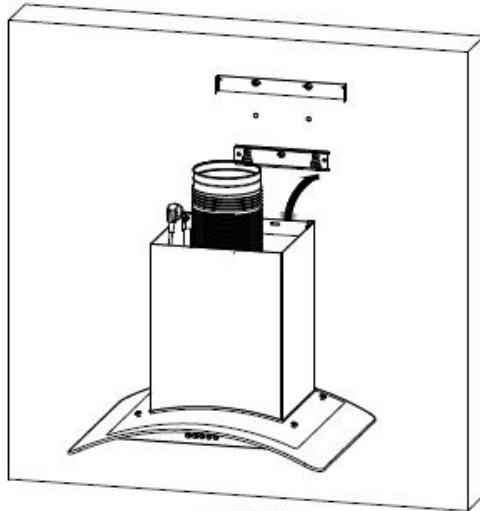


Fig.6

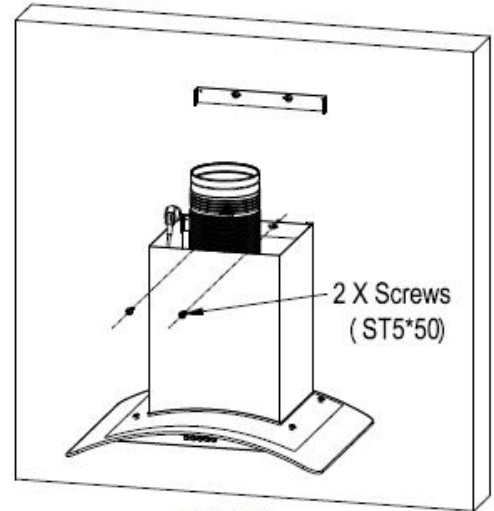


Fig.7

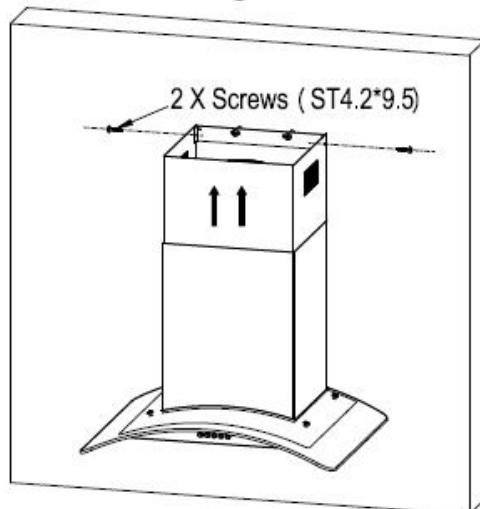
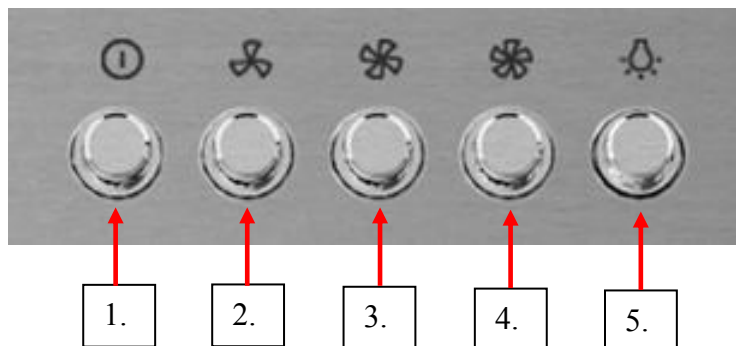


Fig. 8

Section 2. Safety Advice

- This appliance is manufactured and intended for DOMESTIC use only. Any guarantee offered with the appliance is not valid for any installation in a commercial environment.
- This appliance incorporates stainless steel. Handle with care as some of the edges may be sharp.
- The main filter must be cleaned on a regular basis in order to help maintain the appliance in good working order.
- Always turn off the electricity supply before cleaning the filter or the appliance exterior.
- When replacing the bulbs or charcoal filter, ensure that you fit a 'like for like' replacement.
- We recommend that this appliance is installed by a professional installer.
- This appliance shall not be used by children aged from 8 years and above and persons with reduced physical, sensory or mental capabilities, or lack of experience and knowledge, unless they have been given supervision or instruction on how to use of the appliance in a safe way and understand the hazards involved. Children shall not play with the appliance. Cleaning and user maintenance shall not be made by children without supervision.
- If the power supply cord is damaged, it must be replaced by the manufacturer, it's service agent or similarly qualified persons in order to avoid a hazard.

Section 3. Operating the Appliance



To operate the Cooker Hood, proceed as follows:

- Press button 1. To switch off the motor
- Press button 2. for low speed
- Press button 3. for medium speed
- Press button 4. for high speed
- Press button 5. to switch the light on and off

For best results, we recommend that the Cooker Hood is switched on at least 10 minutes prior to cooking and left to run for a period of 10 minutes after cooking is finished.

Section 4. Maintenance

4.1. Cleaning the Main Filter

If your cooker hood has aluminium filters, simply remove the filter panels and wash them in clean soapy water, ensuring that they are dry prior to refitting.

If you have charcoal filters, remove the aluminium filter panels and replace the charcoal filter(s) with like for like replacements.

4.2. Replacing the Bulbs

To replace a bulb(s), isolate the power, remove the light cover and unscrew the bulb. Replace it with the same type/wattage and replace the light cover.

4.3. What to do if something goes wrong

The light bulb does not work:

- A bulb has probably blown. Replace the bulb as referred to in Section 4.2. Please note that light bulbs are not covered by any guarantee offered with this appliance.

Motor operates but level of extraction appears to be poor:

- Check and clean the filter as detailed in Section 4.1. Dirty filters will cause a noticeable drop in performance. If you are using the appliance on 're-circulation' mode the charcoal filter may require changing as detailed in Section 4.3.
- If the length of flexible extraction hose exceeds 2m and/or you have installed more than one bend, there will be a noticeable reduction in extraction power.

There is no power to the appliance:

- Check there is not a power cut
- Check there is power to the electric socket/appliance
- Check the fuse in the plug and/or spur (Must be 13amp)

YOUR GUARANTEE IS VALID ONLY IN THE UK.

To Register your Appliance simply complete the card in your appliance pack and return it with a stamp affixed or *Alternatively* you can Register online at www.repairtechuk.com

SERVICE HELP-LINE

Should your appliance develop a fault, please call the

Repairtech Service Helpline on:

01527-888133

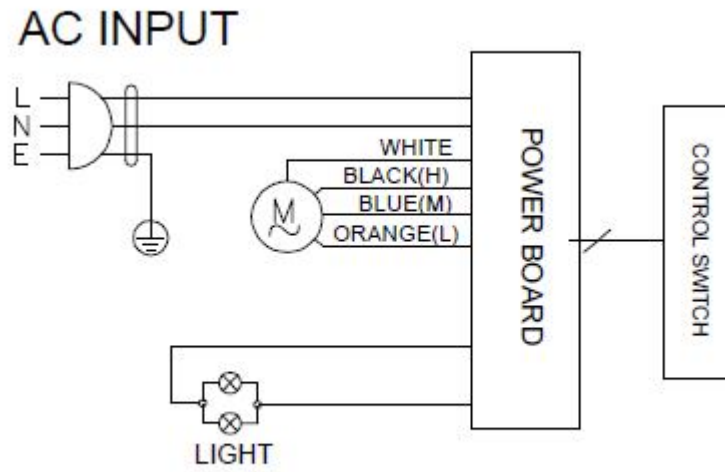
Please remember to have all your product details available, including the model number, serial number, date of purchase and your retailer's details before registering a fault.

Your service call cannot progress without this information.

DOMESTIC APPLIANCE DISTRIBUTORS;

HENRY JOHN HOUSE
NORTHWAY LANE
ASHCHURCH
TEWKESBURY
GLOUCESTERSHIRE
GL20 8JH

Section 5. Circuit Diagram

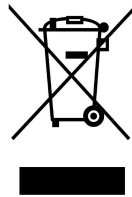


Important Note:

This appliance is marked according to the European directive 2002/96/EC on Waste Electrical and Electronic Equipment (WEEE). By ensuring this product is disposed of correctly, you will help prevent potential negative consequences for the environment and human health, which could otherwise be caused by inappropriate waste handling of this product.

The symbol on the product, or on the documents accompanying the product, the Crossed Out Wheelie Bin, indicates that this appliance may not be treated as household waste. Instead it shall be handed over to the applicable collection point for the recycling of electrical and electronic equipment.

Disposal must be carried out in accordance with local environmental regulations for waste disposal. For more detailed information about treatment, recovery and recycling of this product, please contact your local authority, your household waste disposal service or the retailer where you purchased the product.



We continuously try to improve our products for the benefit of our customers. For this reason we reserve the right to make changes to any product at any time, without notice

Issue: 04/23-07-2015