

Montpellier

THE PERFECT BALANCE OF FUNCTION AND STYLE

LAUNDRY - DISHWASHING - COOKING - COOLING

Installation and Operating Instructions



8kg 1400rpm Built-In Washing Machine MBIWM814

Please read these instructions carefully before attempting to install or use this appliance.
We recommend that you keep these instructions in a safe place for future reference.

Welcome

Thank you for choosing this Montpellier appliance.

Our appliances have been designed to provide you with the best combination of style, reliability and performance to give you years of trouble-free use.

You may be familiar with a similar product, but please take time to read these instructions carefully before installing or using your appliance to ensure you get the most from your purchase.



2
YEAR
GUARANTEE
— PARTS & LABOUR —
ACROSS ALL OUR MODELS
Montpellier
www.montpellier-appliances.com

We recommend that you keep this manual in a safe place for future reference.

Your appliance is covered by a comprehensive two year Parts & Labour Guarantee. In the unlikely event that you experience a problem with your appliance, you can rest assured that you are fully protected against the cost of repairs for the first 24 months. Please note that any claim must be accompanied by the model reference number, serial number and proof of purchase.

To activate your guarantee, you will need your product serial number. This can be found inside your appliance.

NB: Please make sure that you keep a copy of your original sales invoice as this will be needed if any service call is required.

There are three ways to register your Guarantee:

- **Online:** Visit the Support page on our website and complete the online Product Registration form. www.montpellier-appliances.com
- **By Post:** Simply detach and fill in the form provided, attach a stamp and send it in the post. Don't forget to include your e-mail address so that we can send confirmation through to you.
- **By Phone:** Contact our warranty registration department on **0808 1961388**

Thank you for choosing this product.

This User Manual contains important safety information and instructions on the operation and maintenance of your appliance.

Please take the time to read this User Manual before using your appliance and keep this book for future reference.

The design and specifications are subject to change without prior notice for product improvement.

THANK YOU LETTER

Thank you for choosing Montpellier! Before using your new Montpellier product, please read this manual thoroughly to ensure that you know how to operate the features and functions that your new appliance offers in a safe way.

CONTENTS

THANK YOU LETTER	01
SAFETY INSTRUCTIONS	02
SPECIFICATIONS	06
PRODUCT OVERVIEW	07
QUICK START GUIDE	08
PRODUCT INSTALLATION	10
OPERATION INSTRUCTIONS	14
CLEANING AND MAINTENANCE	26
TROUBLE SHOOTING	30
DISPOSAL AND RECYCLING	31
BUILT-IN INSTALLATION	32
PRODUCT INFORMATION SHEET	35
HERE FOR YOU	36



Read all instructions and explanations before use. Follow the instructions carefully. Keep the operation instructions handy for later use. If the appliance is sold or passed on then ensure that the new owner always receives these operation instructions.

SAFETY INSTRUCTIONS

Intended Use

The product is intended only for home use and for textiles in household amounts suitable for washing.

This appliance is for indoor use only and not intended for built in use.

Only use according to these instructions.

The appliance is not intended for commercial use. Any other use is considered as improper use.

The producer is not responsible for any damage or injury that may result from it.

This appliance is intended to be used in household and domestic applications only.

Explanation of Symbols



DANGER

This symbol indicates that there are dangers to the life and health of persons due to extremely flammable gas.



WARNING OF ELECTRICAL VOLTAGE

This symbol indicates that there is a danger to life and health of persons due to voltage.



WARNING

The signal word indicates a hazard with a medium level of risk which, if not avoided, may result in death or serious injury.



CAUTION

The signal word indicates a hazard with a low degree of risk which, if not avoided, may result in minor or moderate injury.



NOTE

The signal word indicates important information (e.g. damage to property), but not danger.



OBSERVE INSTRUCTIONS

This symbol indicates that a service technician should only operate and maintain this appliance in accordance with the operating instructions.

Please read the following safety information thoroughly and follow it strictly to minimize the risk of fire or explosion, electric shock and to prevent property damage, personal injury or loss of life. Failing to follow these instructions shall void any warranty.

This appliance is not intended for use by persons (including children) with reduced physical, sensory or mental capabilities, or lack of experience and knowledge, unless they have been given supervision or instruction concerning use of the appliance by a person responsible for their safety.

WARNING: Electric Shock Hazard

- If the supply cord is damaged, it must be replaced by the manufacturer, its service agent or similarly qualified persons in order to avoid a hazard.
- If the machine is damaged, it must not be operated unless repaired by the manufacturer, its service agent or similarly qualified persons.
- Risk of electric shock!
- The appliance can be used by children aged from 8 years and above and persons with reduced physical, sensory or mental capabilities or lack of experience and knowledge if they have been given supervision or instruction concerning use of the appliance in a safe way and understand the hazards involved. Children shall not play with the appliance. Cleaning and user maintenance shall not be made by children without supervision.
- Children should be supervised that they do not play with the appliance.
- Children 3 years and under shall be kept away from the appliance or continuously supervised.
- Animals and children may climb into the machine. Check the machine before every operation.
- Do not climb or sit on the appliance.

Installation Location and Surrounding

- All washing and additional substances are to be kept in a safe place out of the reach of children.
- Do not install the machine on a carpet floor.
- The obstruction of the openings by a carpet can damage the machine.
- Keep the appliance clear from heating sources and direct sunlight to avoid plastic and rubber parts to corrode.
- Do not use the appliance in humid environments or rooms containing explosive or caustic gas. In case of water leakage or water splashes, let the appliance dry in the open air.
- The appliance must not be installed behind a lockable door, a sliding door or a door with a hinge on the opposite side to that of the machine .
- Do not operate the machine in rooms with a temperature of below 5°C. This can cause damages to parts of it. If it is unavoidable, make sure to drain the water completely from the appliance after every use (see "Maintenance - Cleaning of drain pump filter") to avoid damages caused by frost.
- Never use flammable sprays or substances in the immediate proximity of the appliance.

Electrical Connection

- Make sure the supply cable is not trapped by the machine, or it can get damaged.
- Connect the product to a grounded outlet protected by a fuse complying with the values in the "Technical specifications" table. The grounding installation has to be made by a qualified electrician. Ensure that the machine is installed in accordance with the local regulations.
- Water and electrical connections must be carried out by a qualified technician in accordance with the manufacturer's instructions and local safety regulations.

Installation

- Remove all packaging material and transport bolts before using the appliance. Otherwise, serious damage may result.
- This appliance is equipped with a single inlet valve and can be connected to the cold water supply only.
- Mains plug must be accessible after installation.
- Before washing clothes for the first time, the product shall be operated once through a "Drum Clean" or other program with the optional temperature of 90°C without any clothes inside.
- Before using the machine, the product shall be calibrated.
- Do not put any excessively heavy objects on the appliance, like water containers or heating devices.
- The new hose-sets supplied with the appliance are to be used and that old hose-sets should not be reused.
- Max. Inlet water pressure 1 MPa. Min. inlet water pressure 0.05 MPa.



WARNING:

- Don't use multiple plugs or extension cords.
- The appliance must not have an external switching device such as a timer or connected to a circuit that is regularly switched on and off.
- Do not pull the plug out of the mains outlet if there is flammable gas around.
- Never pull out power plug with wet hands.
- Always pull at the plug, not at the cable.
- Always unplug the appliance if it is not being used.

Water Connections

- Check the connections of the water inlet tubes, the water tap and the outlet hose for possible problems due to changes of water pressure. If the connections loosen or leak, close the water tap and get it repaired.
- Do not use the appliance before the pipes and hoses are installed properly by qualified persons.
- Glass door may become very hot during the operation. Keep children and pets far away from the machine while it is operating.
- The water inlet and outlet hoses have to be safely installed and remain undamaged. Otherwise, water leakage can occur.
- Do not remove the drain pump filter while there is still water in the appliance. Big quantities of water can leak out, and there is a risk of scalding due to hot water.

Operation and Maintenance

- Never use any flammable, explosive or toxic solvents. Do not use gasoline and alcohol etc. as detergents. Only select detergents that are suitable for machine washing.
- Make sure that all pockets are emptied. Sharp and rigid items such as coins, brooches, nails, screws, stones etc. may cause serious damages to this machine.
- Remove all objects from pockets such as lighters and matches before use the appliance. Thoroughly rinse items that have been washed by hand.
- Items that have been soiled with substances such as cooking oil, acetone, alcohol, petrol, kerosene, spot removers, turpentine, wax and wax removers should be washed on a hot wash with an extra amount of detergent.
- Items containing foam rubber (latex foam), shower caps, water proof textiles, rubber backed articles and clothes or pillows fitted with foam rubber pads should not be washed in the machine.
- Fabric softeners or similar products should be used are recommended in their instructions.
- Never try to open the door forcefully.
- The door will unlock shortly after the end of a cycle.
- Please do not close the door with excessive force. If it is found difficult to close the door, please check if the clothes are properly inserted and distributed.
- Always unplug the appliance and close the water tap before cleaning and maintenance and after each use.
- Never pour water over the appliance for cleaning purpose. Risk of electric shock!
- Repairs shall only be carried out by the manufacturer, its service agent or similarly qualified persons in order to avoid a hazard.
- The producer will not be responsible for damages caused by the intervention of not authorized persons.

Transport

- Before Transport:
 - Bolts shall be reinstalled to the machine by a specialized person;
 - Accumulated water shall be drained out of the machine.
- This appliance is heavy. Transport with care. Never hold any protruding part of the machine when lifting. The machine door can not be used as a handle.

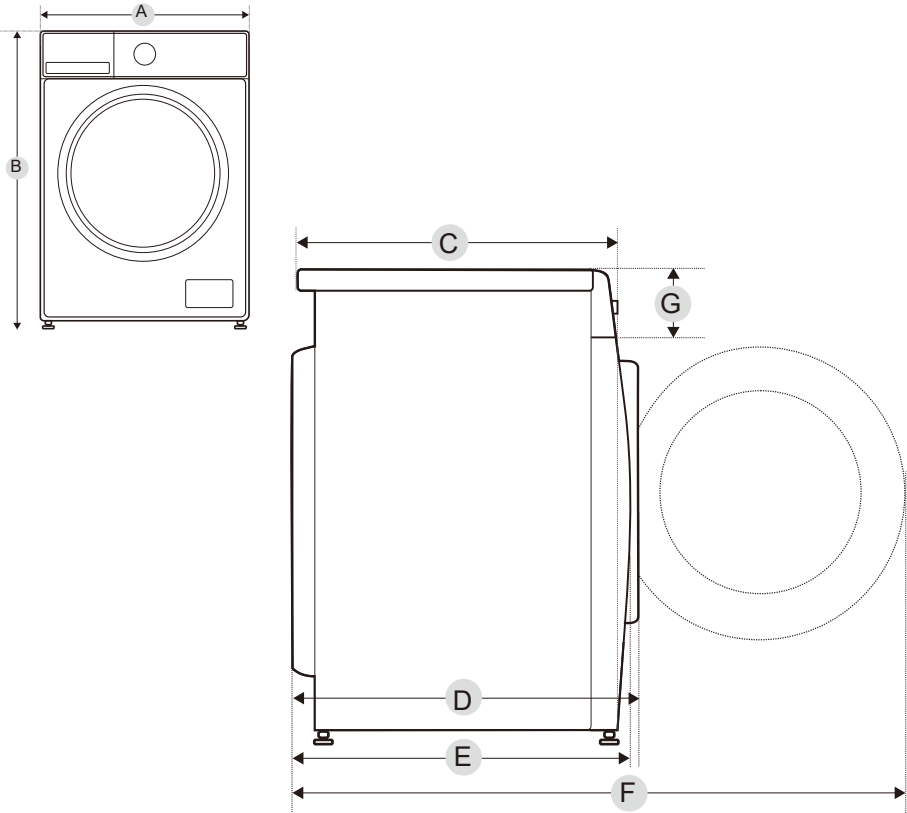
Model

Washing Capacity

MBIWM814

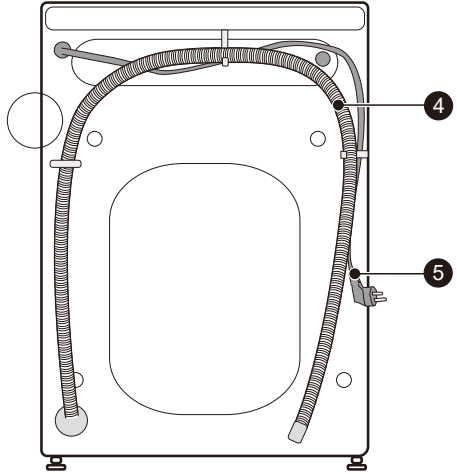
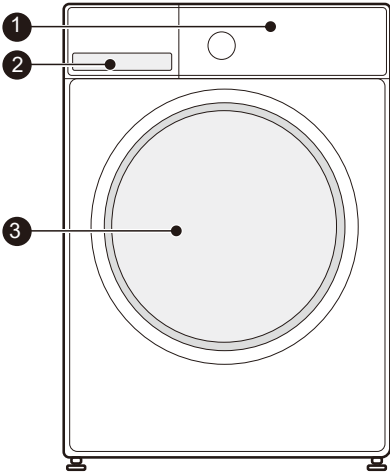
8.0kg

SPECIFICATIONS



Model	MBIWM814			
Power Supply	220-240V~,50Hz			
MAX. Current	10A			
Rated Power	1950W			
Washing Capacity	8.0kg			
Standard Water Pressure	0.05MPa~1MPa			
Dimension	A	B	C	Weight
	595mm	825mm	495mm	60kg
Reference Dimension	D	E	F	G
	555mm	545mm	975mm	135mm

PRODUCT OVERVIEW



1	Control panel	4	Drain hose
2	Detergent dispenser	5	Power supply cord
3	Door		

NOTE

The product picture is for illustration only, please refer to real product as reference.

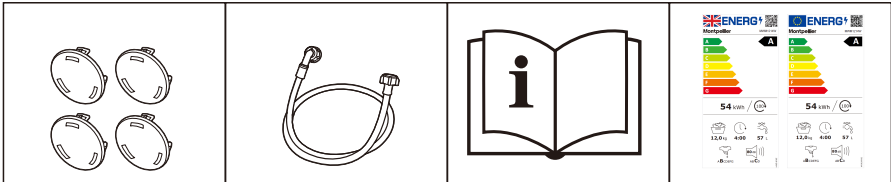
Accessories

4 x Cover caps

1 x Supply hose cold water

Owner's manual, Warranty Card & Energy Labels

Energy Labels




QUICK START GUIDE

CAUTION

- Before washing, please make sure the machine is installed properly.
- Your appliance was thoroughly checked before it left the factory. To remove any residual water and to neutralize potential odors, it's recommended to clean your appliance before first use. For this reason, recommended to clean the inner drum by running the "Drum Clean" or other program with the optional temperature of 90°C. Be careful not to put laundry and detergent in the machine.

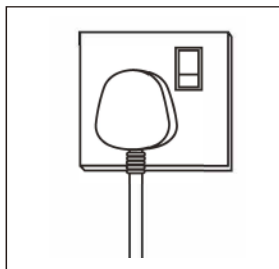
Calibration

It's recommended to calibrate the machine, so that provide the best performance. The appliance is able to detect the amount of laundry loaded. This function is optimizing the product performance by minimizing energy and water consumption, saving you money and time. For this reason it's recommended to calibrate the appliance for best use.

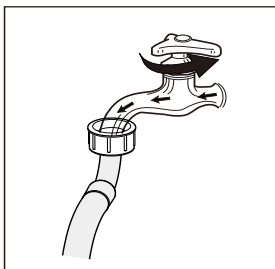
- Remove all accessories from the drum and close the door;
- Insert the mains plug to the socket;
- Switch on the washing machine, and within 10 seconds, press "Speed" continuously (normally 3 seconds) until "t19" is displayed on the knob.
- Press  to start the appliance, initially "--" is displayed, and then "****" (such as "126") is displayed to indicate the real time drum speed. When the number reaches a certain value (stops changing), it means the washing machine is successfully calibrated.

1. Before Washing

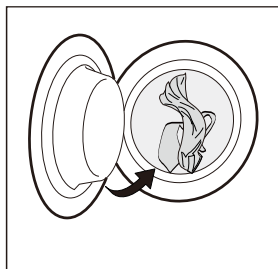
1. Plug in



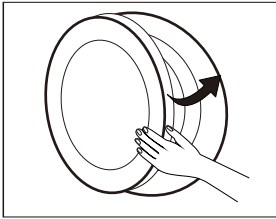
2. Open tap



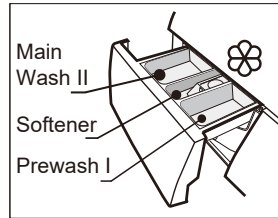
3. Load



4. Close door



5. Add detergent

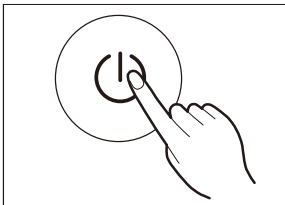


 NOTE

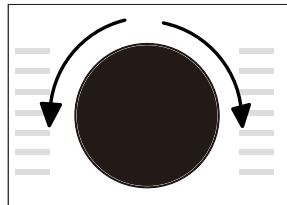
Detergent need to be added in compartment I if the pre-wash function is selected.

2. Washing

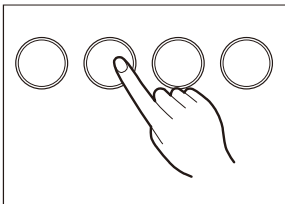
1. Power on



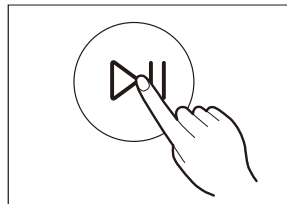
2. Select programme



3. Select function or remain default settings



4. Press Start/Pause to start the program



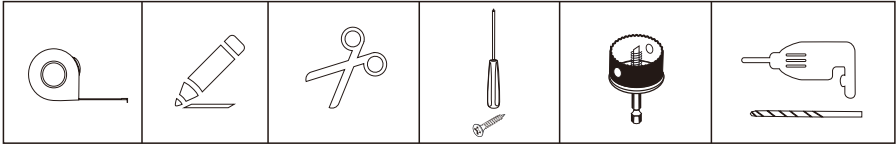
3. After Washing

Buzzer beeps and "End" will show on the display.

PRODUCT INSTALLATION



Tools Needed If Installation By Yourself (not included)

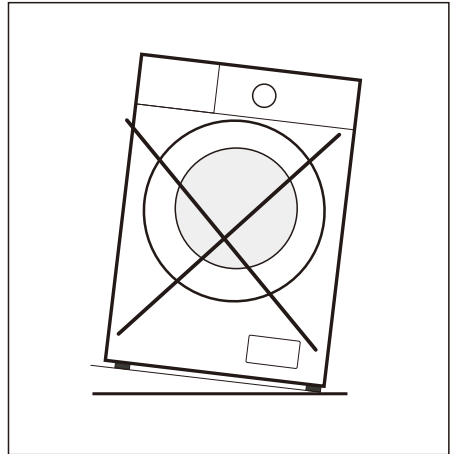
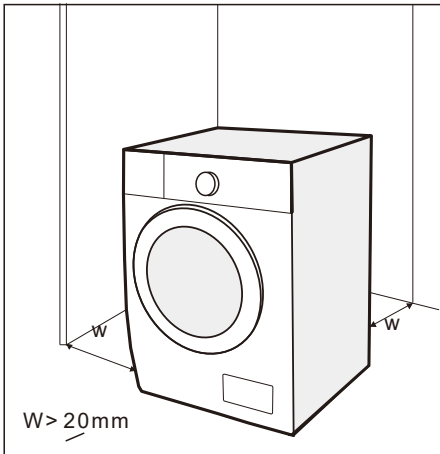


Installation Area



WARNING

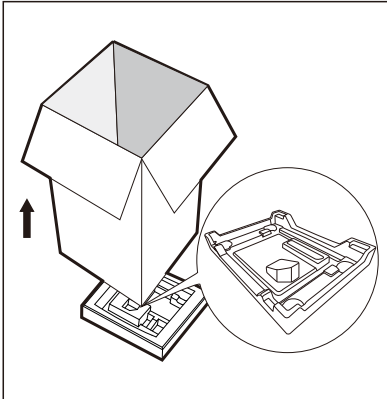
- Stability is important to prevent the product from wandering!
- Make sure the machine is standing level and stable.
- Make sure that the product does not stand onto the power cord.
- Make sure to maintain the minimum distances from the walls as shown in the picture.



Before installing the machine, the location characterized as follows shall be selected:

- Rigid, dry, and level surface.
- Avoid direct sunlight.
- Sufficient ventilation.
- Room temperature is above 5 °C .
- Keep far away from the heat sources such as coal or gas burning appliances.

Unpacking the Machine



⚠ WARNING

- Packaging material (e.g. Films, Styrofoam) can be dangerous for children.
- There is a risk of suffocation ! Keep all packaging well away from children.

- Remove the cardboard box and styrofoam packing.
- Lift the machine and remove the base packaging.
- Remove the tape securing the power supply cord and drain hose.
- Remove the inlet hose from the drum.

Remove Transport Bolts

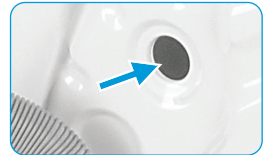
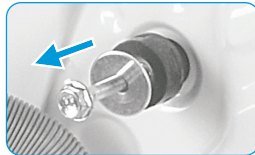
⚠ WARNING

You must remove the transport bolts from the backside before using the product.

1. Loosen the 4 transport bolts with a spanner.

2. Remove the bolts including the rubber parts and keep them for future use.

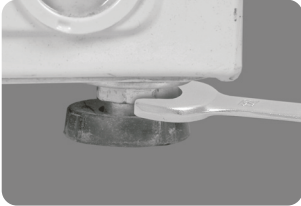
3. Close the holes using the cover caps supplied.



Levelling the Machine

⚠ WARNING

The lock nuts on all four feet must be screwed tightly against the housing.



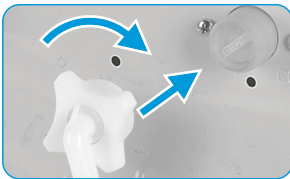
- Loosen the lock nut.
- Turn the foot until it reaches the floor.
- Adjust the legs and lock the nuts with a spanner. Make sure the machine is level using a spirit level.

Connect the Water Supply Hose

⚠ WARNING

To prevent leakage or water damage, follow the instructions in this chapter.

- Do not kink, crush or modify water inlet hose.



Connect the water supply hose to the water inlet valve and a water tap with cold water as indicated. Once connected turn on the water supply and check for any leaks at both ends of the hose.



● NOTE

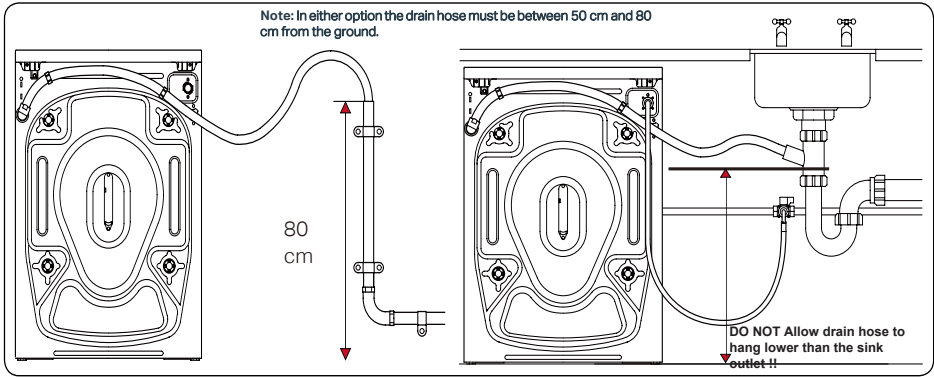
- Connect manually, do not use tools. Check if the connections are tight.

Drain Hose

⚠ WARNING

- Do not kink or protract the drain hose.
- Position the drain hose properly, otherwise damage might result in water leakage.

There are two main ways to place the end of drain hose:



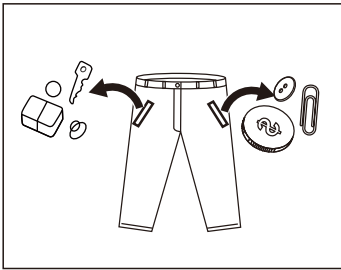
- Connect the water drain hose to a standpipe or to the outlet elbow of a household sink, using additional equipment.
- If connecting to a sink outlet the drain hose must never hang lower than the sink outlet otherwise waste water from the sink is likely to syphon in to the washing machine - see above.
- Never attempt to extend the water drain hose.
- Do not put the water drain hose from your machine into a container, bucket or bathtub.
- Make sure that the water drain hose is not bent, buckled, crushed or extended.
- The water drain hose must be installed at a maximum height of 80 cm from the ground.

OPERATION INSTRUCTIONS

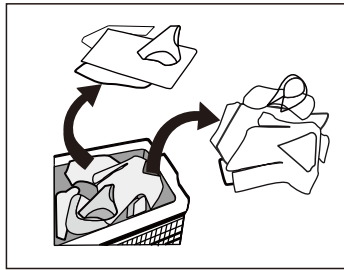
Before Each Wash

- The ambient temperature of the machine should be 5°C-40°C. If used under 0°C, the inlet valve and draining system may be damaged. If the machine is installed under freezing conditions, it should be transferred to normal ambient temperature to ensure the water supply hose and drain hose can unfreeze before use.
- Please check your laundry care labels and the detergent use instructions before washing. Use non-foaming or low-foaming detergent suitable for machine properly.

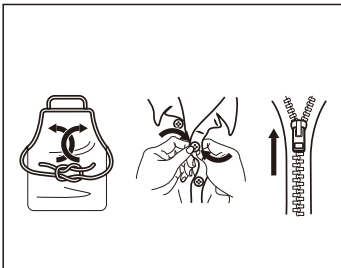
1. Take all items out of the pockets



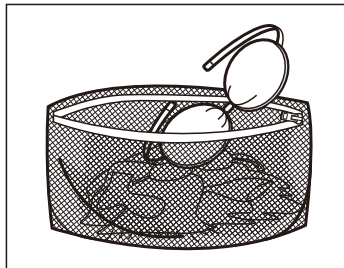
2. Sort laundry according to color and textile type



3. Tie together long textile strips and belts, close zips and button



4. Put small items into a laundry bag

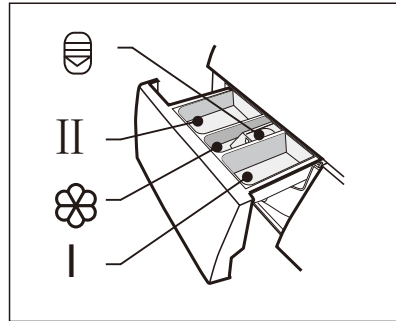


WARNING

- Do not wash or dry articles that have been cleaned in, washed in, soaked in, or dabbed with combustible or explosive substances like wax, oil, paint, gasoline, alcohol, kerosene, and other flammable materials.
- Washing single clothes items may easily create big eccentricity. Therefore it is suggested to add one or two more laundry items to the wash so that spin can be done smoothly.
- Do not wash, spin water-proof seats, mats, or clothing.

Detergent Dispenser

- I Pre wash
- II Main wash
- ☼ Softener
- ⊞ Release button to pull out the dispenser



CAUTION

- Detergent only need be added in “compartment I ”after selecting pre-wash option.

Programme	I	II / ⊞	☼	Programme	I	II / ⊞	☼
Rapid 15'		●	○	Baby Care	○	●	○
Quick 45'		●	○	Wool		●	○
20 °C		●	○	Delicate		●	○
Jeans	○	●	○	Mix	○	●	○
ECO 40-60		●	○	Synthetic	○	●	○
Steam Wash	○	●	○	Sport	○	●	○
Rinse & Spin			○	Cotton	○	●	○
Spin Only							

● Means must

○ Means optional

Detergent Recommendations

Recommended washing detergent	Type of laundry and textile	Wash cycles	Washing temp. °C
Heavy-duty detergent with bleaching agents and optical brighteners	White laundry made from boil-proof cotton or linen	Cotton, ECO 40-60	40/60
Colour detergent without bleaching agent and optical brighteners	Coloured laundry made from cotton or linen	Cotton	20/40
Color or mild detergent without optical brighteners	Coloured laundry made from easy care fibres or synthetic materials	Cotton, Synthetic	20/40
Mild washing detergent	Delicate textiles, silk, viscose	Synthetic	20
Special wool detergent	Wool	Wool	20/40

NOTE

- Agglomerating or ropy detergent or additive can be diluted in some water before pouring it into the detergent dispenser, to avoid its inlet to get blocked and thus cause a water overflow.
- Please choose the suitable type of detergent to get a maximum of washing performance and a minimum of water and energy consumption.
- To achieve the best cleaning result a proper detergent dosing is important.
- Use a reduced detergent amount if the drum is not filled completely.
- Always adjust the amount of detergent to the water hardness, if your tap water is soft, use less detergent.
- Dose according to how dirty your laundry is, less dirty clothes require less detergent.
- Highly concentrated (compact detergent) requires particularly accurate dosing.

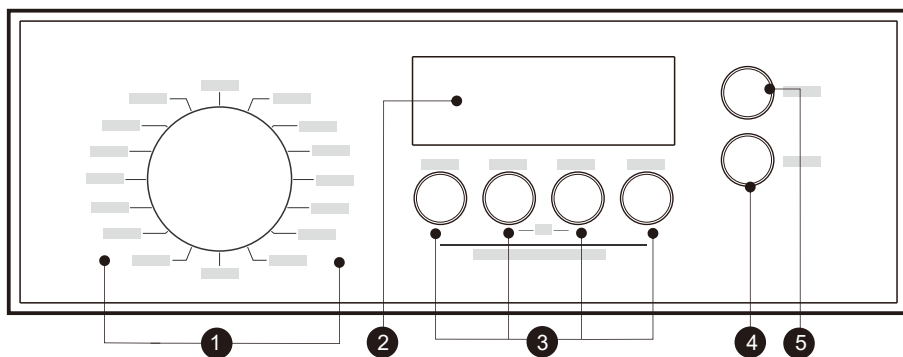
Following symptoms are a sign of detergent overdosing:

- heavy foam formation
- poor washing and rinsing result

Following symptoms are a sign of detergent under dosing:

- laundry turns grey
- built-up of limescale deposits on the drum, the heating element and/or the laundry

Control Panel



1 Program

Choose appropriate program according to the laundry type.

2 Display

The display shows settings, estimated remaining time, options and status messages.

3 Options (refer to pages 23 & 25)

Press buttons to change program parameters or select additional functions.

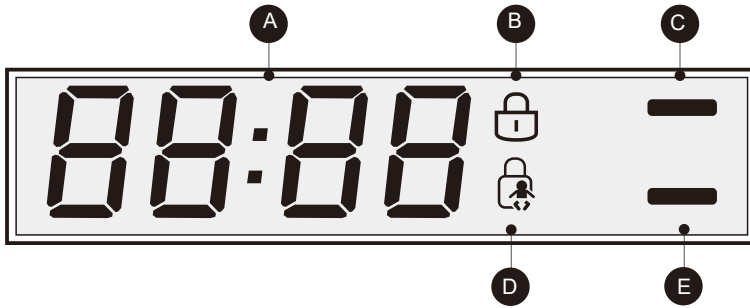
4 Start/Pause

Start or pause your program.

5 On/Off

Power on or off machine.

Display



A Display

Wash Time 125

Delay Time 24

Speed 1200

Error E30

End End

B Door Lock

D Child Lock

C Pre Wash

E Extra Rinse

Programmes

Model: MBIWM814

Programme	Load (kg)	Default Time (h:min)
	8.0	
Rapid 15'	2.0	0:15
Quick 45'	2.0	0:45
20°C	4.0	1:01
Jeans	8.0	1:35
ECO 40-60	8.0	3:38
Steam Wash	4.0	1:48
Rinse & Spin	8.0	0:20
Spin Only	8.0	0:12
Baby Care	8.0	2:01
Wool	2.0	1:07
Delicate	2.5	0:50
Mix	8.0	1:20
Synthetic	4.0	3:18
Sport	4.0	0:47
Cotton	8.0	3:39



NOTE

- The parameters in this table are only for user's reference. The actual parameters maybe different with the parameters in above mentioned table.

Programmes

MBIWM814

Cycle	Nominal capacity in kg	Temperature setting °C	Cycle duration in hours and minutes	Energy consumption in kWh/operalling cycle	Water consumption in liter/operalling cycle	Highest temperature °C ¹⁾	Residual moisture in % /spin speed in rpm ²⁾
Quick 15'	2.0	Cold	0:15	0.030	31	Cold	70%/800
20°C	4.0	20	1:01	0.183	44	20	65%/1000
Steam Wash	4.0	40	1:48	0.569	44	40	65%/1000
Mix	8.0	40	1:20	0.754	71	40	65%/1000
Cotton	8.0	40	3:39	1.498	71	40	53%/1400
ECO 40-60 ³⁾	8.0	--	3:38	0.759	62.0	33	53.9%/1350
	4.0	--	2:48	0.425	43.0	28	53.9%/1350
	2.0	--	2:48	0.199	36.0	25	53.9%/1350

- The above data is for reference only, and the data may change due to different actual use conditions.
- The valves given for programmes other than the ECO 40-60 programme are indicative only.
- 20°C is able to clean lightly soiled cotton laundry, at a nominal temperature of 20 °C, which complies with the regulation (EU) 2019/2023.
- Concerning to EN 60456:2016/prA2019 With (EU)2019/2014, (EU)2019/2023, (EU)2021/340,(EU)2021/341 The EU energy efficiency class is: A
Energy test program: ECO 40-60. Other as the default.
Half load for 8.0kg machine:4.0kg.
Quarter load for 8.0kg machine:2.0kg.

Programmes

- 1) The highest temperature reached by the laundry in the wash cycle for at least 5 minutes.
- 2) Residual moisture after the wash cycle in water content percent and the spin speed at which this was achieved.
- 3) The ECO 40-60 programme is able to clean normally soiled cotton laundry declared to be washable at 40°C or 60°C, together in the same cycle. This programme is used to assess the compliance with the regulation (EU) 2019/2023.

The most efficient programmes in terms of energy consumption are generally those that perform at lower temperatures and longer duration.

Loading the household washing machine up to the capacity indicated for the respective programmes will contribute to energy and water savings.

Noise and remaining moisture content are influenced by the spinning speed: the higher the spinning speed in the spinning phase, the higher the noise and the lower the remaining moisture content.

CAUTION



















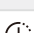




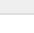


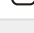


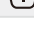




- If there is any break in the power supply while the machine is operating, a special memory stores the selected programme. The machine will continue the programme when the power supply is re-established.

Programmes are available according to the laundry type.

Programmes

Rapid 15'	Extra short programme approx, suitable for lightly soiled washing as a small amounts of laundry.
Quick 45'	Washing few and not very dirty clothes quickly
20°C	Able to clean lightly soiled cotton laundry, at a nominal temperature of 20 °C.
Jeans	Specially for jeans.
ECO 40-60	Able to clean normally soiled cotton laundry declared to be washable at 40 °C or 60 °C, together in the same cycle.
Steam Wash	Steam is applicable for daily laundries.
Spin Only	Spins and drains the water.
Baby Care	Washing the baby's clothes, it can make the baby's wear cleaner and make the rinse performance better to protect the babies skin.
Wool	Hand or Machine-washable wool or wool rich textiles. Especially gentle wash programme to prevent shrinkage, longer programme pauses (textiles rest in the wash liquor).
Delicate	For delicate washable textiles, e.g; silk, satin, synthetic fibres or blended fabrics.
Mix	Mixed load consisting of textiles made of cotton and synthetics.
Synthetic	Wash synthetic articles, for example: shirts, coats, blending. While washing the knitting textiles, detergent quantity shall be reduced due to its loose string construction and easily forming bubbles.
Sportswear	Washing the activewear.
Cotton	Hard-Wearing textiles, heat-resistant textiles made of cotton or linen.

Options

Cycle	Default Temp.(°C)	Default spin speed (rpm)	Additional functions
Wash Cycles		1400	
Rapid 15'	Cold	800	
Quick 45'	20	800	 ,  ,
20 °C	20	1000	 ,  ,
Jeans	30	800	 ,  ,  ,
ECO 40-60	--	1400	
Steam Wash	40	1000	 ,  ,  ,
Rinse&Spin	--	1000	 ,  ,
Spin Only	--	1000	
Baby Care	60	1000	 ,  ,  ,
Wool	40	600	 ,  ,
Delicate	30	800	 ,  ,
Mix	40	1000	 ,  ,  ,
Synthetic	40	800	 ,  ,  ,
Sport	20	800	 ,  ,  ,
Cotton	40	800	 ,  ,  ,

 Time Delay

 Pre Wash

 Extra Rinse

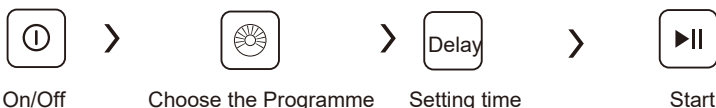
NOTE

- For the maximum spin speed, program time, and other details of the ECO 40-60 program, please refer to the content on the Product Fiche page.
- The table shows which cycle offers which options for adjustment. If an adjustment is not possible for a cycle.

Delay

Delay
Set the Delay function:

1. Select a programme
2. Press the Delay button to choose the time(the delaying time is 0-24 h.)
3. Press [Start/Pause] to commence the delay operation



Cancel the Delay function:
Press the [Delay] button until the display be 0h.It should be pressed before starting the programme. If the programme already started, should press the [On/Off] button to reset the programme.

Pre Wash

Pre Wash
The Prewash function can get an extra wash before main wash.

Extra Rinse

Extra Rinse
The laundry will undergo extra rinse once after you select it.

Speed

Speed
Press the button to change the spin speed.

Temp.

Temp.
When needed, the washing temperature can be adjusted by pressing the temperature button in the following steps: Cold - 20°C - 30°C - 40°C - 60°C - 90°C.



My Cycle
Memory the frequently used programmes

Press [♥] 3sec. to memory the running programme. The default is Cotton.



Child Lock
To avoid mis operation by children.



On/Off Start/Pause Press [Temp.] and [Speed]
3 sec. till buzzer beep.

CAUTION

- Press the two button 3 sec. also to be released the function.
- The "Child Lock" will lock all buttons except [On/Off].
- Cut off the power supply , the kid's protection is to be released.
- The child lock will remain effective when the power is resumed for some models.



Mute the buzzer



On/Off Start/Pause Press the [Temp.]button for 3sec.the buzzer is muted.

To act the buzzer function, press the button again for 3 seconds. The setting will be kept until the next reset.

CAUTION

- After Muting the buzzer function, the sounds will not be activated any more.

NOTE

Usage counter

1. Unplug the equipment for 10s and reconnect again.
- 2.Power on and within 10s, please press "Speed" and "Funct." on control panel simultaneously and continuously for around 5s until the device display shows digits--the value can indicate the times of equipment usage.
- 3.Repeat step 1 again and customer can resume to normal operation.

CLEANING AND MAINTENANCE

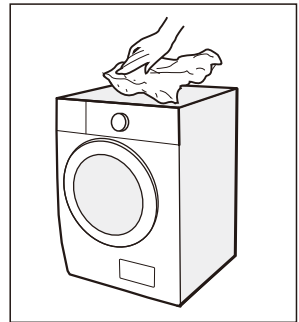
Cleaning and Care

WARNING

- Always unplug the appliance and close the water tap before cleaning and maintenance.

Cleaning the Cabinet

Proper maintenance on the machine can extend its working life. The surface can be cleaned with diluted non-abrasive neutral detergents when necessary. If there is any water overflow, use a towel to wipe it off immediately. Never use sharp items to clean the appliance.



CAUTION

- Never use abrasive or caustic agents. Such as formic acids or its diluted solvents or similar substances, like alcohol or chemical products.

Cleaning the Drum

Any rust stains left inside the drum by metal articles must be removed immediately using chlorine-free detergents. Never use steel wool for cleaning the drum!

NOTE

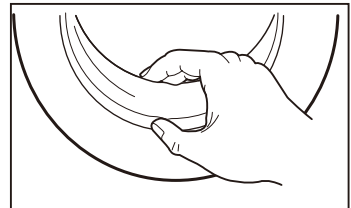
- Keep any laundry away from the machine while cleaning the drum.

Cleaning the Door Seal and Glass

Wipe the glass and seal after each wash to remove lint and stains. If lint builds up it can cause leakages.

Remove any coins, buttons and other objects from the seal after each wash.

Clean the door seal and glass every month to ensure the normal operation of the appliance.

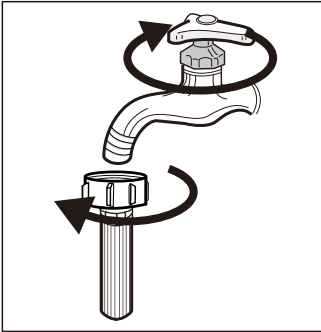


Cleaning the Inlet Filter

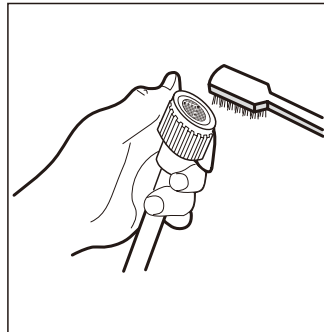
NOTE

- Diminishing water flow is a sign that the filter needs to be cleaned.

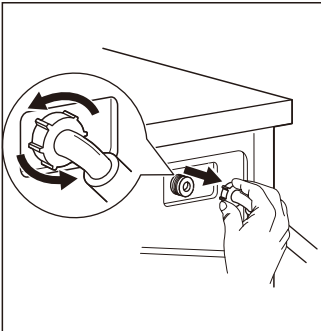
1. Close the tap and remove the water supply hose from it.



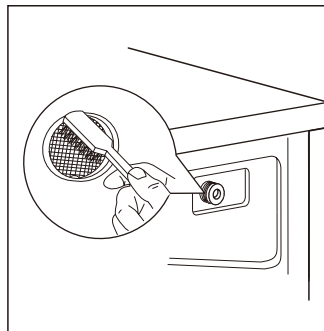
2. Clean the filter with a brush.



3. Unscrew the water supply hose from the backside of the machine. Pull out the filter with long nose pliers.




4. Use a brush to clean the filter.

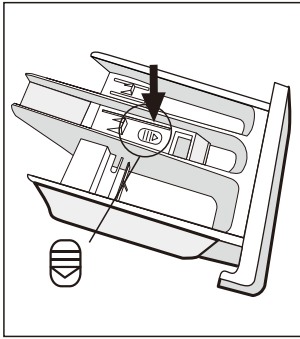


5. Reinstall the filter to the water inlet and reconnect the water supply hose, making sure to check for any leaks.
6. Clean the Inlet filter every 3 months to ensure the normal operation of the appliance.

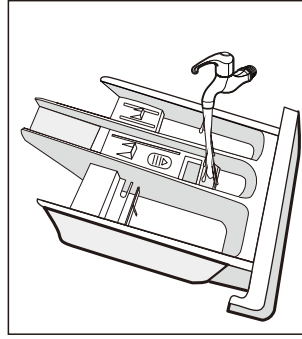
Cleaning the Detergent Dispenser

1. Press down the release [] on the softener cover and pull the dispenser drawer out of the recess. Clean the inside of the recess with a brush.
2. Lift the softener cover off the dispenser drawer and wash both items with water.
3. Restore the softener cover and push the drawer back into the recess.

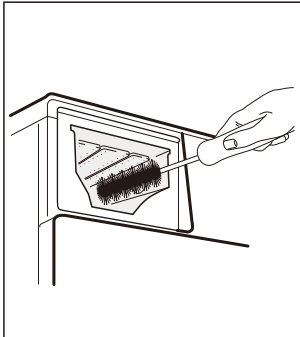
1. Press the release and remove the dispenser drawer



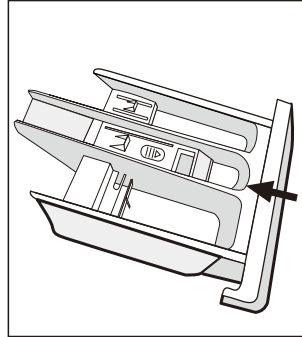
2. Clean the dispenser drawer and the softener cover under water



3. Clean the recess with a soft brush



4. Insert the dispenser drawer



NOTE

- Do not use abrasive or caustic agents to clean plastic parts.
- Clean the detergent dispenser every 3 months to ensure the normal operation of the appliance.

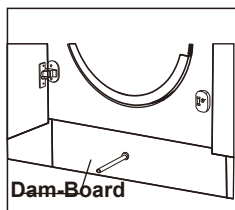
Cleaning the Drain Pump Filter

WARNING

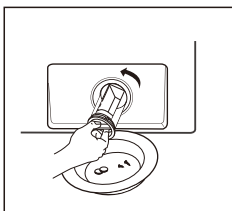
Make sure that the machine has finished the washing cycle and is empty. Switch it off and unplug it before cleaning the drain pump filter.

- Be careful of hot water. Wait for water cooling down. Risk of scalding!
- Unplug the machine to avoid electrical shock before washing.
- Drain pump filter can filter the yarns and small foreign matters from the washing.
- Clean the filter periodically to ensure the normal operation of washing machine.
- Clean the filter periodically every 3 months to ensure the normal operation of the appliance.

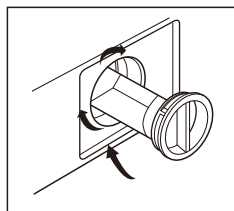
1. After the power is disconnected, pull out the Dam-Board.



2. Turn the filter down as shown with the figure and take out sundries matters.



3. Reinstall each part back after sundries matters are removed.



CAUTION

- Make sure emergency drain hose cap and the emergency drain hose are reinstalled properly, otherwise water may leak.

TROUBLE SHOOTING

Whenever there is a problem with the appliance, check if you can solve it following the tables below. If the problem persists, please contact the customer service.

Description	Possible Cause	Solution
Appliance does not start	Door is not closed properly. Clothes are stuck.	Close the door properly and restart. Check the laundry.
Door can't be opened	Safety protection is activated.	Disconnect the power and restart.
Water leakage	Connections are not tight enough.	Check and fasten the water inlet pipe. Check and clean the outlet hose.
Detergent residues in the detergent dispenser	Detergent is damp and/or clotted.	Clean and wipe the detergent dispenser dry.
Indicator or display does not work	PC board or harness have connection problems.	Switch off the power and check if the mains plug is connected properly.
Abnormal noise	Fixing bolts are still in place. Floor is not solid or level.	Check if the fixing bolts have been removed. Make sure the appliance is installed on a solid and level floor.

Error Codes

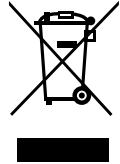
Description	Possible Cause	Solution
E30	Door is not closed properly.	Close the door properly and restart.
E10	Water injecting problem during the wash cycle.	Check if the water pressure is high enough. Straighten the water pipe. Clean the inlet valve filter.
E21	Overtime water draining	Check the drain hose for blockage.
E12	Water overflow	Restart the appliance.
EXX	Others	Restart the appliance. If problem persists, please contact the customer service.

DISPOSAL AND RECYCLING

Important Instructions for Environment

Compliance with the WEEE Directive and Disposing of the Waster Product:
This product complies with EU WEEE Directive (2012/19/EU). This product bears a classification symbol for waster electrical and electronic equipment (WEEE).

This symbol indicates that this product shall not be disposed with other household wastes at the end of its service life. Used device must be returned to official collection point for recycling of electrical electronic devices. To find these collection systems please contact to your local authorities or retailer where the product was purchased. Each household performs important role in recovering and recycling of old appliance. Appropriate disposal of used appliance helps prevent potential negative consequences for the environment and human health.



Compliance with RoHS Directive

The product you have purchased complies with EU RoHS Directive (2011/65/EU). It does not contain harmful and prohibited materials specified in the Directive.

Package Information

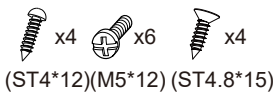
Packaging materials of the product are manufactured from recyclable materials in accordance with our National Environment Regulations. Do not dispose of the packaging materials together with the domestic or other wastes. Take them to the packaging material collection points designated by the local authorities.



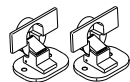
BUILT-IN INSTALLATION

Appendix

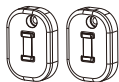
Self-tapping screws



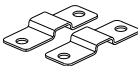
Hinges



Counter magnet



Spacer



Fixed position paper

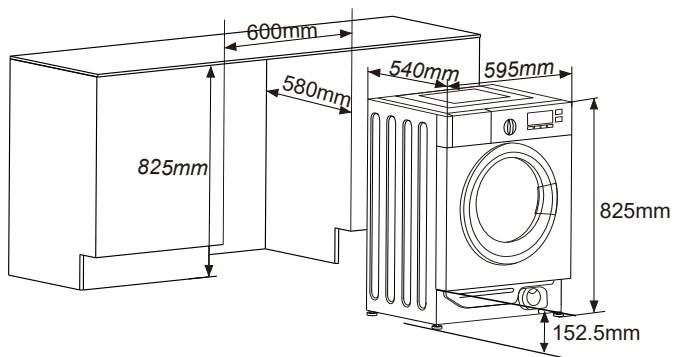


Tools

Screw driver Automatic driver Ruler Pencil

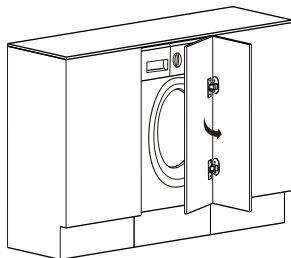


Install Steps

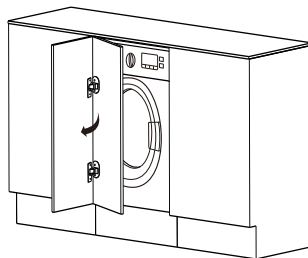


Overview

Preparation and assembly of the door

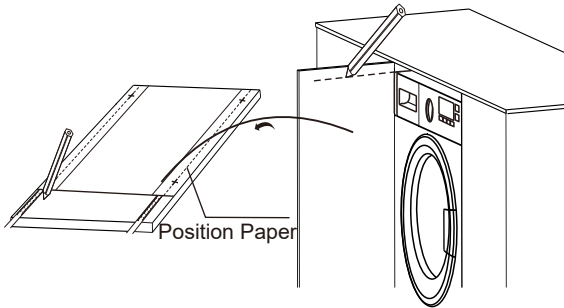


The door is open from left to right

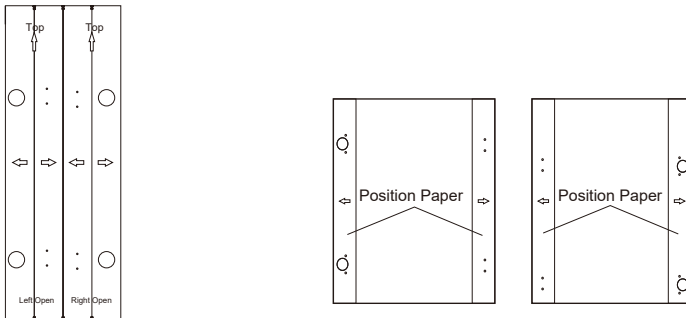


The door is open from right to left

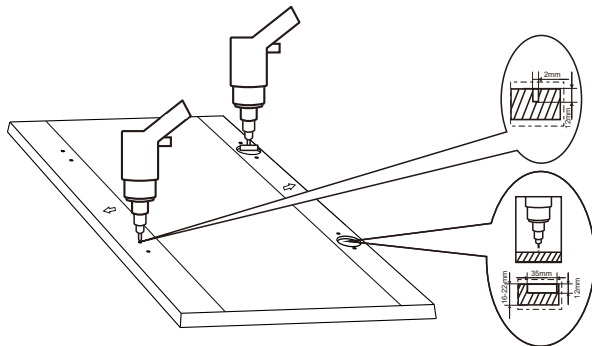
1: Make the mark on the door



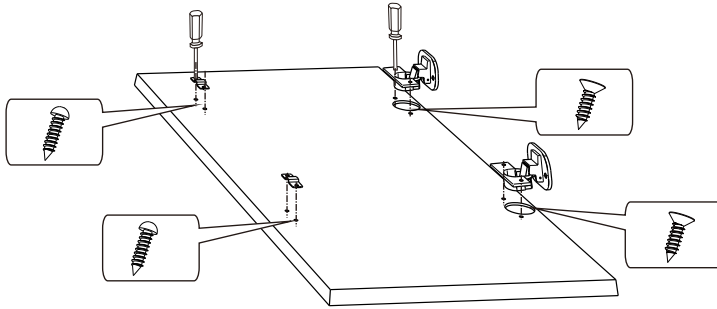
2: Fixed position paper on the door.



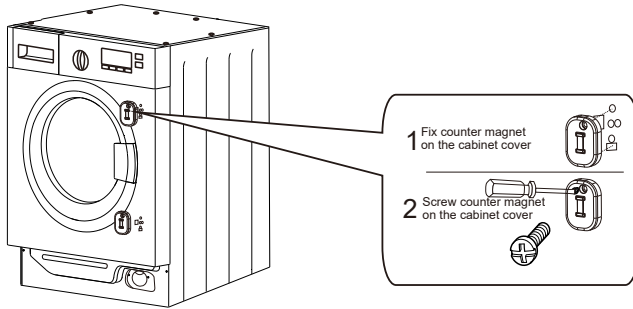
3: Drill hole on the door



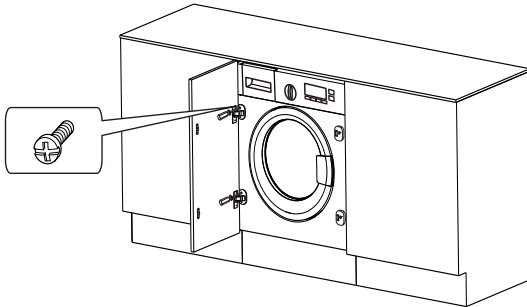
4: Installation the hinges and spacer



5: Installation the counter magnet



6: Installation the door



! WARNING

- When installing the appliance into the kitchen ensure furniture ,if possible, the hoses are placed in either of the two recesses on the back of the appliance. This will help to prevent the hoses from becoming kinked or trapped.

Model identifier: MBIWM814					
General product parameters:					
Parameter	Value		Parameter	Value	
Rated capacity ^(a) (kg)	8,0		Dimensions in cm	Height	83
				Width	60
				Depth	54
Energy Efficiency Index ^(a) (EEI _w)	51,9		Energy efficiency class ^(a)	A	
Washing efficiency index ^(a)	1,031		Rinsing effectiveness (g/kg) ^(a)	5,0	
Energy consumption in kWh per cycle, based on the eco 40-60 programme at a combination of full and partial loads. Actual energy consumption will depend on how the appliance is used.	0,472		Water consumption in litre per cycle, based on the eco 40-60 programme at a combination of full and partial loads. Actual water consumption will depend on how the appliance is used and on the hardness of the water.	48	
Maximum temperature inside the treated textile ^(a) (°C)	Rated capacity	33	Weighted remaining moisture content ^(a) (%)	53,9	
	Half	28			
	Quarter	25			
Spin speed ^(a) (rpm)	Rated capacity	1 350	Spin-drying efficiency class ^(a)	B	
	Half	1 350			
	Quarter	1 350			
Programme duration ^(a) (h:min)	Rated capacity	3:38	Type	Built-in	
	Half	2:48			
	Quarter	2:48			
Airborne acoustical noise emissions in the spinning phase ^(a) (dB(A) re 1 pW)	72		Airborne acoustical noise emission class ^(a) (spinning phase)	A	
Off-mode (W) (if applicable)	0,50		Standby mode (W) (if applicable)	0,00	
Delay start (W) (if applicable)	4,00		Networked standby (W) (if applicable)	N/A	
Minimum duration of the guarantee offered by the supplier: 24 months					
This product has been designed to release silver ions during the washing cycle			NO		
Additional information:					
Weblink to the supplier's website, where the information in point 9 of Annex II to Commission Regulation (EU) 2019/2023 is found: https://www.montpellier-appliances.com/					

(a) for the eco 40-60 programme.

Here For You

After-sales assistance

If you continue to experience problems with your appliance, please call the Montpellier customer service helpline on: **01759 487839**

D`YUgY \ Uj Y` U`` nci f` dfcXi Wñ XYHU]g` Uj U]UV`YZ`]bWi X]b[` h Y` a cXY` bi a VYfZ` gYf]U` bi a VYfZ` cf][]bU` gU`Yg`]bj c]W` fWYUf` m` gl` ck]b[` a cXY` bi a VYfZ`XUH` cZ` di fW` Ugy` UbX` nci f` fYHU] YfYg` XYHU] gL` VYZ` fYfY[]ghYf]b[` UZU` `H`

The service call cannot progress without this information.

Your 2 year Manufacturer's guarantee

THIS DOES NOT AFFECT YOUR STATUTORY RIGHTS.

Your new Montpellier appliance carries a free guarantee which protects you against the cost of repairs during the first 24 months from date of purchase provided that:

Any claim is accompanied by evidence of the model reference, model serial number and proof of purchase, such as a Sales Receipt, showing that the appliance was purchased within the 24 months prior to the date of claim.

What is not covered under the Guarantee

- Any appliance not correctly installed and operated in accordance with the manufacturer's instructions
- Any appliance that is used for anything other than domestic purposes.
Any defect caused by accident, misuse, unauthorised modification or inexperienced repair.
- Cost of Call-out where a fault cannot be found with the appliance.
Cost of Call-out for work covering routine maintenance, such as, but not exclusively, cleaning of filters or defrosting.
- Cost of Call-out for work required to correct the alignment of doors following door reversal procedures carried out by you.
Use of the appliance by anyone other than the Householder.
Use in any commercial environment.
- Consumable items, such as, but not exclusively, fuses in plugs, bulbs and breakable items which require routine replacement.
Repair costs incurred that have not been authorised by Montpellier service and/or carried out by a non-approved Montpellier engineer.
- Montpellier Appliances do not accept claims for consequential loss, rusting, corroding, delivery damage or scratches.

YOUR GUARANTEE IS VALID ONLY IN THE UK & REPUBLIC OF IRELAND

To register your appliance simply complete the card in your appliance pack and return it with a stamp affixed. Alternatively you can register online at www.montpellier-appliances.com/support

SERVICE HELP-LINE

Should your appliance develop a fault, please call the Montpellier customer service helpline on:

01759 487839

D`YUgYfYa Ya VYf`tc \ Uj YU`` nci f` dfcXi WñXYHU]g` Uj U]UV`YZ`]bWi X]b[` h Y` a cXY` bi a VYfZ` gYf]U` bi a VYfZ`XUH` cZ` di fW` Ugy` UbX` nci f` fYHU] YfYg` XYHU] gL` VYZ` fYfY[]ghYf]b[` UZU` `H`

You have a manufacturer's warranty of 2 years from the date of purchase (proof of purchase must be provided). Our General Terms and Conditions apply.

Your device / serial number

MBIWM814 /

Purchase date:

Place of purchase:

Customer Service

Spare parts for your appliance are available for a minimum of 10 years following EU COMMISSION REGULATION 2019/2023 ANNEX II Ecodesign requirements. In case of questions, please contact our local customer service center.



WARNING

Risk of electric shock

- Never try to repair an appliance which is defective or presumed to be defective. You may put your own and future users' lives in danger. Only authorised specialists are allowed to carry out this repair work.
- Improper repair will void the warranty and subsequent damages can't be recognized!

Transport

IMPORTANT STEPS WHEN MOVING THE APPLIANCE

- Unplug the appliance and close the water inlet tap.
 - Check if the door and the detergent dispenser are closed properly.
- Remove the water inlet pipe and the outlet hose from the house installations.
- Let the water drain completely from the appliance (see Cleaning the "Drain Pump Filter")
- Important: Re-install the 4 transport bolts in the back of the appliance.
- This appliance is heavy. Transport with care and always with 2 people. Never hold any protruding part of the machine when lifting. The machine door can not be used as a handle.

Montpellier Domestic Appliances Ltd.

Unit 1, Tewkesbury Retail Park, Northway Lane,
Tewkesbury, Gloucestershire GL20 8JU

www.montpellier-appliances.com



The symbol on the product or on its packaging indicates that this product may not be treated as household waste. Instead it shall be handed over to the applicable collection point for the recycling of electrical and electronic equipment. By ensuring this product is disposed of correctly, you will help prevent potential negative consequences for the environment and human health, which could otherwise be caused by inappropriate waste handling of this product. For more detailed information about recycling of this product, please contact your local city office, your household waste disposal service or the shop where you purchased the product.